



**UNDER-BODY
CYLINDERS FOR
HEAVY AND MEDIUM
DUTY TIPPERS**
STANDARD PRESSURE

DETTAGLI TECNICI • TECHNICAL DATA • DÉTAIL TECHNIQUES • TECHNISCHE DATUM • DETALLES TÉCNICAS



Indice • Index • *Index* *Index* • *Indice*



UNDER-BODY CYLINDERS FOR HEAVY AND MEDIUM DUTY TIPPERS - STANDARD PRESSURE

- 2 M 3 • S 3
- 6 M 2 • S 2
- 10 M 1 • S 1
- 14 M 01 • S 01
- 18 M 02 • S 02
- 22 M 03 • S 03
- 26 M 04 • S 04
- 30 M 05
- 32 Accessori **Accessories** *Accessoires*
Zubehören **Accesorios**
- 34 Tavole di aiuto **Selection charts** *Table de choix*
Worwählerkarte **Carta de seleccion**
- 36 Complessivo **Assembly** *Plan du vérin*
Zusammenzeichnung **Dibujo**
- 37 Avvertenze **Warnings** *Advertissements*
Warnungen **Advertencias**

M3 · S3

1/2

Accessori
Accessories
Accessoires
Zubehören
Accessorios



SUPPORTO CILINDRO CYLINDER SUPPORT
PALIER VERIN LAGER ZYLINDER
SOPORTE CILINDRO



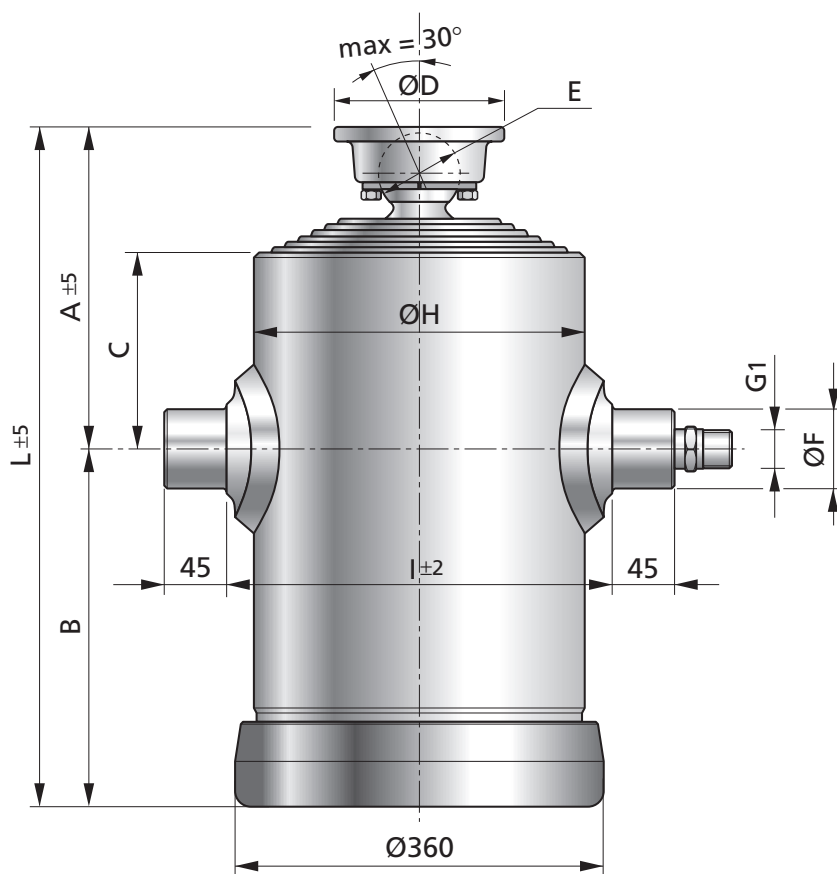
SUPPORTO BILANCIERE CRADLE SUPPORT
BALANCIER VERIN LAGER KIPPHEBEL
SOPORTE CUNA



BILANCIERE CRADLE BALANCIER
KIPPHEBEL CUNA



Vedi pagine 32-33 per dettagli
See pages 32-33 for details
Voyez pages 32-33 pour détails
Sehen Blatten 32-33 für Informationen
Ver hoias 32-33 para informaciones



M3 · S3

| TIPO TYPE TYP TIPO | SFILATE EXTENSION EXPANSION STUFENZAHL EXPANSION | DIAMETRO - DIAMETER DIAMÈTRE - DURCHMESSER - DIAMETRO [mm] | | | | | | | | | | max SPINTA THRUST POUSSEE KRAFT EMPUJE [kN] |
|-----------------------------|--|--|-----|-------|-----|-----|-----|-----|------|-----|----|---|
| | | I | II | III | IV | V | VI | VII | VIII | IX | X | |
| M3 | 10 | 279 | 249 | 221.5 | 196 | 174 | 154 | 135 | 116 | 98 | 79 | 246 |
| | 9 | 279 | 249 | 221.5 | 196 | 174 | 154 | 135 | 116 | 98 | | 287 |
| | 8 | 279 | 249 | 221.5 | 196 | 174 | 154 | 135 | 116 | | | 329 |
| | 7 | 279 | 249 | 221.5 | 196 | 174 | 154 | 135 | | | | 375 |
| | 6 | 279 | 249 | 221.5 | 196 | 174 | 154 | | | | | 424 |
| S3 | 10 | 279 | 249 | 221.5 | 196 | 174 | 154 | 135 | 120 | 105 | 90 | 257 |
| | 9 | 279 | 249 | 221.5 | 196 | 174 | 154 | 135 | 120 | 105 | | 293 |
| | 8 | 279 | 249 | 221.5 | 196 | 174 | 154 | 135 | 120 | | | 332 |
| | 7 | 279 | 249 | 221.5 | 196 | 174 | 154 | 135 | | | | 375 |

M3 • S3 DETTAGLI TECNICI TECHNICAL DATA DÉTAIL TECHNIQUES TECHNISCHE DATUM DETALLES TÉCNICOS

| ART. NUOVO NEW MODEL NOUVELLE DESCR. NEUE BEZEICHNUNG DESCRIPCION NUEVA | ART. VECCHIO OLD MODEL ANCIENNE DESCR. ALTE BEZ. DESCR. ANTIGUA | CODICE CODE CODE BESTELL-Nr. CODIGO | N. SFILATE - EXTENSION N. N. DES TRALLONGES - N. EXPAISIONES STUFENZAHL - N. EXPANSIONES CORSO - POWER STROKE COURSE DE TRAVAIL GESAMTHUB - CARRERA [mm] | MASSA - MASS MASSE - MASSE MASA [kg] | OLIO ASSORBITO OIL CONSUMPTION HUILE CONSOMM. OELVERBRUCH ACEITE ABSORBIDO [dm ³] | PRESIONE MAX DI LAVORO MAX. WORKING PRESSURE PRESSION DE TRAVAIL MAX. MAXIMUM BETRIEBSDRUCK PRESION MAX. DE TRABAJO [bar] | MASSA TOTALE - RIBALTABILE TOTAL MASS TIP-UP MASSE TOTALE REBATABLE GESAMTIPPMASSE MASA TOTAL VOLCADA [ton] | L | A | B | C | D [mm] | E | F | H | I | |
|---|---|---|--|---|--|--|--|------|-----|-----|-----|-----------|-----|----|----|-----|-----|
| 750 6354 279 10 | M3/750/10 | 1107502790001 | 10 | 6354 | 410 | 163.7 | 150 | 30.1 | 923 | 275 | 648 | 140 | 150 | 73 | 70 | 316 | 360 |
| 750 5717 279 9 | M3/750/9 | 1107502799001 | 9 | 5717 | 403 | 160.6 | 150 | 35.1 | 916 | 268 | 648 | 140 | 150 | 73 | 70 | 316 | 360 |
| 750 5080 279 8 | M3/750/8 | 1107502798001 | 8 | 5080 | 393 | 155.8 | 150 | 40.3 | 937 | 289 | 648 | 140 | 170 | 92 | 70 | 316 | 360 |
| 750 4445 279 7 | M3/750/7 | 1107502797001 | 7 | 4445 | 380 | 149.1 | 150 | 45.9 | 930 | 282 | 648 | 140 | 170 | 92 | 70 | 316 | 360 |
| 750 3810 279 6 | M3/750/6 | 1107502796001 | 6 | 3810 | 369 | 140.0 | 150 | 51.9 | 925 | 277 | 648 | 140 | 170 | 92 | 70 | 316 | 360 |
| 670 5554 279 10 | M3/670/10 | 1106702790001 | 10 | 5554 | 364 | 143.1 | 150 | 30.1 | 843 | 275 | 568 | 140 | 150 | 73 | 70 | 316 | 360 |
| 670 4997 279 9 | M3/670/9 | 1106702799001 | 9 | 4997 | 358 | 140.3 | 150 | 35.1 | 836 | 268 | 568 | 140 | 150 | 73 | 70 | 316 | 360 |
| 670 4440 279 8 | M3/670/8 | 1106702798001 | 8 | 4440 | 352 | 136.1 | 150 | 40.3 | 857 | 289 | 568 | 140 | 170 | 92 | 70 | 316 | 360 |
| 670 3885 279 7 | M3/670/7 | 1106702797001 | 7 | 3885 | 344 | 130.3 | 150 | 45.9 | 850 | 282 | 568 | 140 | 170 | 92 | 70 | 316 | 360 |
| 670 3330 279 6 | M3/670/6 | 1106702796001 | 6 | 3330 | 334 | 122.3 | 150 | 51.9 | 845 | 277 | 568 | 140 | 170 | 92 | 70 | 316 | 360 |
| S565 4552 279 10 | S3/565/10 | 1205652790001 | 10 | 4552 | 316 | 117.9 | 150 | 31.5 | 738 | 253 | 485 | 118 | 150 | 73 | 70 | 316 | 360 |
| S565 4087 279 9 | S3/565/9 | 1205652799001 | 9 | 4087 | 313 | 114.9 | 150 | 35.9 | 731 | 246 | 485 | 118 | 150 | 73 | 70 | 316 | 360 |
| S565 3624 279 8 | S3/565/8 | 1205652798001 | 8 | 3624 | 312 | 110.9 | 150 | 40.6 | 744 | 259 | 485 | 118 | 170 | 92 | 70 | 316 | 360 |
| S565 3160 279 7 | S3/565/7 | 1205652797001 | 7 | 3160 | 307 | 105.7 | 150 | 53.6 | 745 | 260 | 485 | 118 | 170 | 92 | 70 | 316 | 360 |
| SL 3852 279 10 | SL3/10 | 12000L2790001 | 10 | 3852 | 284 | 99.6 | 150 | 36.7 | 668 | 253 | 415 | 118 | 150 | 73 | 70 | 316 | 360 |
| SL 3457 279 9 | SL3/9 | 12000L2799001 | 9 | 3457 | 281 | 97.1 | 150 | 41.9 | 661 | 246 | 415 | 118 | 150 | 73 | 70 | 316 | 360 |
| SL 3064 279 8 | SL3/8 | 12000L2798001 | 8 | 3064 | 281 | 93.7 | 150 | 47.4 | 674 | 259 | 415 | 118 | 170 | 92 | 70 | 316 | 360 |
| SL 2670 279 7 | SL3/7 | 12000L2797001 | 7 | 2670 | 277 | 89.2 | 150 | 53.6 | 675 | 260 | 415 | 118 | 170 | 92 | 70 | 316 | 360 |
| S470 3602 279 10 | S3/470/10 | 1204702790001 | 10 | 3602 | 273 | 93.0 | 150 | 36.7 | 643 | 253 | 390 | 118 | 150 | 73 | 70 | 316 | 360 |
| S470 3232 279 9 | S3/470/9 | 1204702799001 | 9 | 3232 | 270 | 90.7 | 150 | 41.9 | 636 | 246 | 390 | 118 | 150 | 73 | 70 | 316 | 360 |
| S470 2864 279 8 | S3/470/8 | 1204702798001 | 8 | 2864 | 270 | 87.5 | 150 | 47.4 | 649 | 259 | 390 | 118 | 170 | 92 | 70 | 316 | 360 |
| S470 2495 279 7 | S3/470/7 | 1204702797001 | 7 | 2495 | 266 | 83.3 | 150 | 53.6 | 650 | 260 | 390 | 118 | 170 | 92 | 70 | 316 | 360 |
| SA 3052 279 10 | SA3/10 | 12000A2790001 | 10 | 3052 | 247 | 78.7 | 150 | 36.7 | 587 | 252 | 335 | 118 | 150 | 73 | 70 | 316 | 360 |
| SA 2737 279 9 | SA3/9 | 12000A2799001 | 9 | 2737 | 245 | 76.7 | 150 | 41.9 | 580 | 245 | 335 | 118 | 150 | 73 | 70 | 316 | 360 |
| SA 2424 279 8 | SA3/8 | 12000A2798001 | 8 | 2424 | 246 | 73.9 | 150 | 47.4 | 593 | 258 | 335 | 118 | 170 | 92 | 70 | 316 | 360 |
| SA 2110 279 7 | SA3/7 | 12000A2797001 | 7 | 2110 | 243 | 70.4 | 150 | 53.6 | 594 | 259 | 335 | 118 | 170 | 92 | 70 | 316 | 360 |
| SM 2849 279 10 | SM3/10 | 12000M2790001 | 10 | 2849 | 238 | 73.3 | 150 | 36.7 | 567 | 252 | 315 | 118 | 150 | 73 | 70 | 316 | 360 |
| SM 2554 279 9 | SM3/9 | 12000M2799001 | 9 | 2554 | 236 | 71.5 | 150 | 41.9 | 560 | 245 | 315 | 118 | 150 | 73 | 70 | 316 | 360 |
| SM 2261 279 8 | SM3/8 | 12000M2798001 | 8 | 2261 | 237 | 68.9 | 150 | 47.4 | 573 | 258 | 315 | 118 | 170 | 92 | 70 | 316 | 360 |
| SM 1967 279 7 | SM3/7 | 12000M2797001 | 7 | 1967 | 234 | 65.6 | 150 | 53.6 | 574 | 259 | 315 | 118 | 170 | 92 | 70 | 316 | 360 |

M3 · S3

2/2

Accessori
Accessories
Accessoires
Zubehören
Accessorios



SUPPORTO CILINDRO CYLINDER SUPPORT
PALIER VERIN LAGER ZYLINDER
SOPORTE CILINDRO



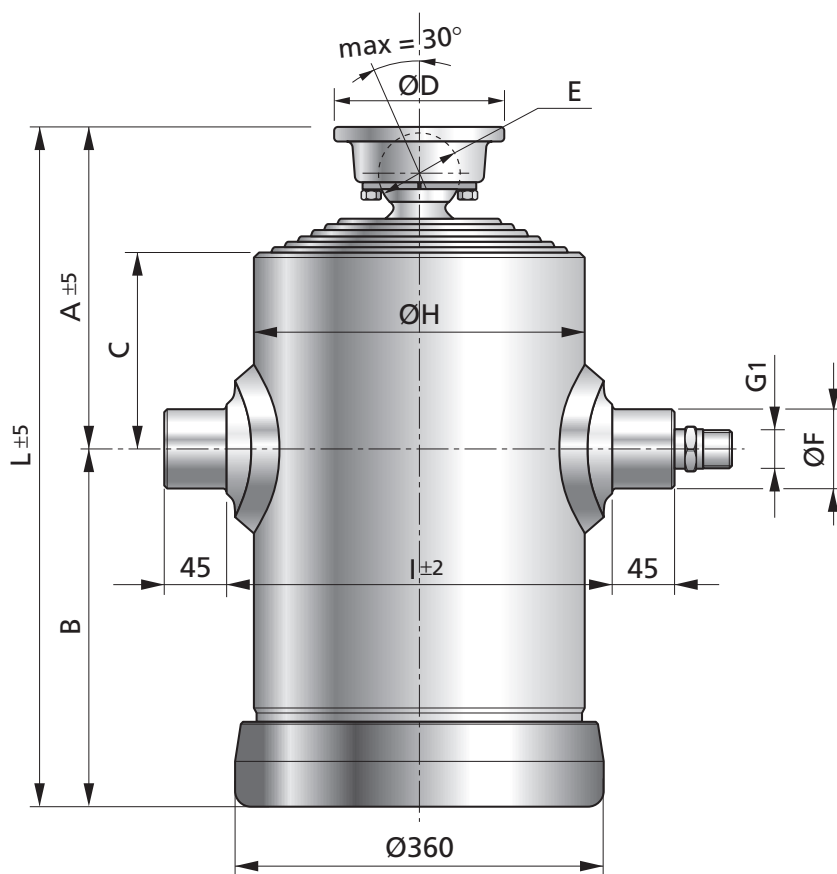
SUPPORTO BILANCIERE CRADLE SUPPORT
BALANCIER VERIN LAGER KIPPHEBEL
SOPORTE CUNA



BILANCIERE CRADLE BALANCIER
KIPPHEBEL CUNA



Vedi pagine 32-33 per dettagli
See pages 32-33 for details
Voyez pages 32-33 pour détails
Sehen Blatten 32-33 für Informationen
Ver hoias 32-33 para informaciones



M3 · S3

| TIPO TYPE TYP TIPO | SFILATE EXTENSION EXPANSION STUFENZAHL EXPANSION | DIAMETRO - DIAMETER DIAMÈTRE - DURCHMESSER - DIAMETRO [mm] | | | | | | | | | | max SPINTA THRUST POUSSEE KRAFT EMPÜJE [kN] |
|-----------------------------|--|--|-----|-------|-----|-----|-----|-----|------|-----|----|---|
| | | I | II | III | IV | V | VI | VII | VIII | IX | X | |
| M3 | 10 | 279 | 249 | 221.5 | 196 | 174 | 154 | 135 | 116 | 98 | 79 | 246 |
| | 9 | 279 | 249 | 221.5 | 196 | 174 | 154 | 135 | 116 | 98 | | 287 |
| | 8 | 279 | 249 | 221.5 | 196 | 174 | 154 | 135 | 116 | | | 329 |
| | 7 | 279 | 249 | 221.5 | 196 | 174 | 154 | 135 | | | | 375 |
| | 6 | 279 | 249 | 221.5 | 196 | 174 | 154 | | | | | 424 |
| S3 | 10 | 279 | 249 | 221.5 | 196 | 174 | 154 | 135 | 120 | 105 | 90 | 257 |
| | 9 | 279 | 249 | 221.5 | 196 | 174 | 154 | 135 | 120 | 105 | | 293 |
| | 8 | 279 | 249 | 221.5 | 196 | 174 | 154 | 135 | 120 | | | 332 |
| | 7 | 279 | 249 | 221.5 | 196 | 174 | 154 | 135 | | | | 375 |

M3 • S3 DETTAGLI TECNICI TECHNICAL DATA DÉTAIL TECHNIQUES TECHNISCHE DATUM DETALLES TÉCNICOS

| ART. NUOVO NEW MODEL NOUVELLE DESCR. NEUE BEZEICHNUNG DESCRIPCION NUEVA | ART. VECCHIO OLD MODEL ANCIENNE DESCR. ALTE BEZ. DESCR. ANTIGUA | CODICE CODE CODE BESTELL-Nr. CODIGO | N. SFILATE - EXTENSION IN. N. DES TRALLONGES STUFENZAHL - N. EXPANSIONES | CORSA - POWER STROKE COURSE DE TRAVAIL GESAMTHUB - CARRERA | MASSA - MASS MASSE - MASSE MASA | OLIO ASSORBITO OIL CONSUMPTION HUILE CONSOMM. ÖLVERBRUCH ACEITE ABSORBIDO | PRESIONE MAX DI LAVORO MAX. WORKING PRESSURE PRESSION DE TRAVAIL MAX. MAXIMUM BETRIEBSDRUCK PRESSION MAX. DE TRABAJO | MASSA TOTALE RIBALTABILE TOTAL MASS TIP-UP MASSE TOTALE REBATABLE GESAMTIPPMASSE MASA TOTAL VOLCADA | L | A | B | C | D [mm] | E | F | H | I |
|---|---|---|--|--|---------------------------------------|---|--|---|-----|-----|-----|-----|-----------|----|----|-----|-----|
| SB 2499 279 10 | SB3/10 | 12000B2790001 | 10 | 2499 | 220 | 65.9 | 150 | 36.7 | 498 | 223 | 275 | 128 | 150 | 73 | 70 | 316 | 360 |
| SB 2260 279 9 | SB3/9 | 12000B2799001 | 9 | 2260 | 218 | 64.4 | 150 | 41.9 | 496 | 221 | 275 | 128 | 150 | 73 | 70 | 316 | 360 |
| SB 2018 279 8 | SB3/8 | 12000B2798001 | 8 | 2018 | 220 | 62.3 | 150 | 47.4 | 514 | 239 | 275 | 128 | 170 | 92 | 70 | 316 | 360 |
| SB 1770 279 7 | SB3/7 | 12000B2797001 | 7 | 1770 | 218 | 59.5 | 150 | 53.6 | 520 | 245 | 275 | 128 | 170 | 92 | 70 | 316 | 360 |
| SC 2157 279 10 | SC3/10 | 12000C2790001 | 10 | 2157 | 204 | 57.2 | 150 | 36.7 | 459 | 234 | 225 | 145 | 150 | 73 | 70 | 316 | 360 |
| SC 1957 279 9 | SC3/9 | 12000C2799001 | 9 | 1957 | 203 | 55.9 | 150 | 41.9 | 459 | 234 | 225 | 145 | 150 | 73 | 70 | 316 | 360 |
| SC 1752 279 8 | SC3/8 | 12000C2798001 | 8 | 1752 | 205 | 54.1 | 150 | 47.4 | 479 | 254 | 225 | 145 | 170 | 92 | 70 | 316 | 360 |
| SC 1539 279 7 | SC3/7 | 12000C2797001 | 7 | 1539 | 203 | 51.7 | 150 | 53.6 | 487 | 262 | 225 | 145 | 170 | 92 | 70 | 316 | 360 |
| SCC 1871 279 10 | SCC3/10 | 1200CC2790001 | 10 | 1871 | 190 | 49.2 | 150 | 36.7 | 426 | 202 | 224 | 118 | 150 | 73 | 70 | 316 | 360 |
| SCC 1691 279 9 | SCC3/9 | 1200CC2799001 | 9 | 1691 | 189 | 48.0 | 150 | 41.9 | 426 | 202 | 224 | 118 | 150 | 73 | 70 | 316 | 360 |
| SCC 1506 279 8 | SCC3/8 | 1200CC2798001 | 8 | 1506 | 191 | 46.4 | 150 | 47.4 | 446 | 222 | 224 | 118 | 170 | 92 | 70 | 316 | 360 |
| SCC 1313 279 7 | SCC3/7 | 1200CC2797001 | 7 | 1313 | 189 | 44.2 | 150 | 53.6 | 454 | 230 | 224 | 118 | 170 | 92 | 70 | 316 | 360 |

M2 · S2

1/2

Accessori
Accessories
Accessoires
Zubehören
Accesorios



SUPPORTO CILINDRO CYLINDER SUPPORT
PALIER VERIN LAGER ZYLINDER
SOPORTE CILINDRO



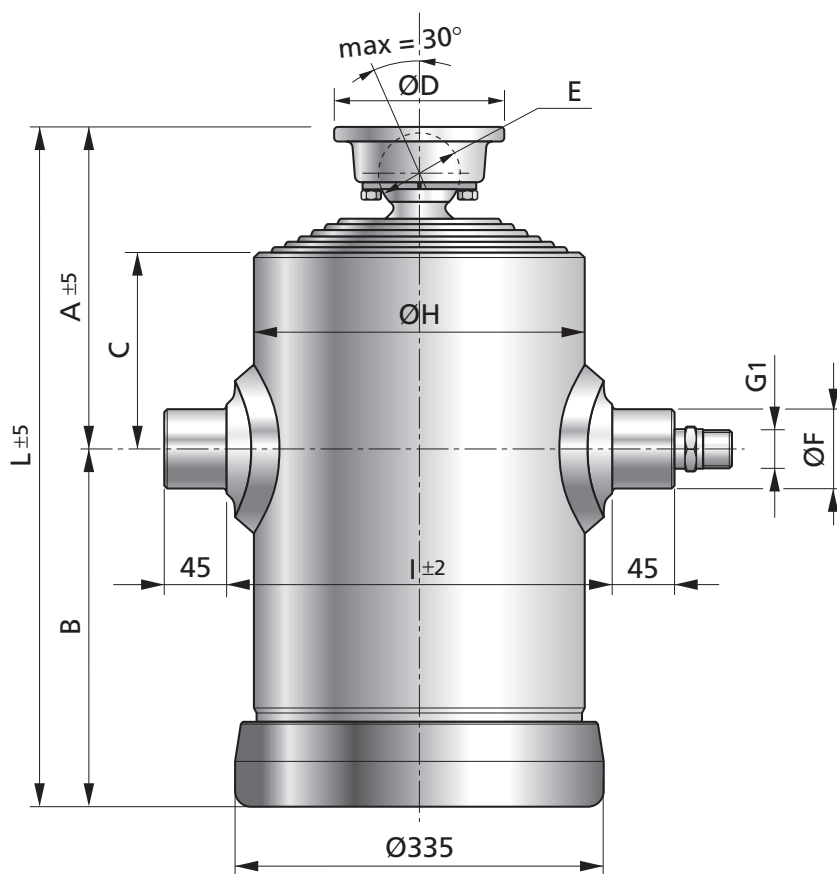
SUPPORTO BILANCIERE CRADLE SUPPORT
BALANCIER VERIN LAGER KIPPHEBEL
SOPORTE CUNA



BILANCIERE CRADLE BALANCIER
KIPPHEBEL CUNA



Vedi pagine 32-33 per dettagli
See pages 32-33 for details
Voyez pages 32-33 pour détails
Sehen Blatten 32-33 für Informationen
Ver hoias 32-33 para informaciones



M2 · S2

| TIPO TYPE TYP TIPO | SFILATE EXTENSION EXPANSION STUFENZAHL EXPANSION | DIAMETRO - DIAMETER DIAMÈTRE - DURCHMESSER - DIAMETRO [mm] | | | | | | | | | | max SPINTA THRUST POUSSEE KRAFT EMPUJE [kN] |
|-----------------------------|--|--|-------|-----|-----|-----|-----|-----|------|----|----|---|
| | | I | II | III | IV | V | VI | VII | VIII | IX | X | |
| M2 | 10 | 249 | 221.5 | 196 | 174 | 154 | 135 | 116 | 98 | 79 | 61 | 181 |
| | 9 | 249 | 221.5 | 196 | 174 | 154 | 135 | 116 | 98 | 79 | | 216 |
| | 8 | 249 | 221.5 | 196 | 174 | 154 | 135 | 116 | 98 | | | 254 |
| | 7 | 249 | 221.5 | 196 | 174 | 154 | 135 | 116 | | | | 292 |
| | 6 | 249 | 221.5 | 196 | 174 | 154 | 135 | | | | | 333 |
| S2 | 10 | 249 | 221.5 | 196 | 174 | 154 | 135 | 120 | 105 | 90 | 75 | 198 |
| | 9 | 249 | 221.5 | 196 | 174 | 154 | 135 | 120 | 105 | 90 | | 228 |
| | 8 | 249 | 221.5 | 196 | 174 | 154 | 135 | 120 | 105 | | | 260 |
| | 7 | 249 | 221.5 | 196 | 174 | 154 | 135 | 120 | | | | 295 |
| | 6 | 249 | 221.5 | 196 | 174 | 154 | 135 | | | | | 333 |

M 2 • S 2 DETTAGLI TECNICI TECHNICAL DATA DÉTAIL TECHNIQUES TECHNISCHE DATUM DETALLES TÉCNICOS

| ART. NUOVO NEW MODEL NOUVELLE DESCR. NEUE BEZEICHNUNG DESCRIPCION NUEVA | ART. VECCHIO OLD MODEL ANCIENNE DESCR. ALTE BEZ. DESCR. ANTIGUA | CODICE CODE CODE BESTELL-Nr. CODIGO | N. SFILATE - EXTENSION N. N. DES TRALLAGES - N. EXPANSIONES STUFENZAHL - N. EXPANSIONES CORSO - POWER STROKE COURSE DE TRAVAIL GESAMTHUB - CARRERA | [mm] | MASA - MASS MASSE - MASSE MASA | [kg] | OLIO ASSORBITO OIL CONSUMPTION HUILE CONSOMM. ÖLVERBRUCH ACEITE ABSORBIDO | [dm ³] | PRESSIONE MAX DI LAVORO MAX. WORKING PRESSURE PRESSION DE TRAVAIL MAX. MAXIMUM BETRIEBSDRUCK PRESSION MAX. DE TRABAJO | [bar] | MASA TOTALE - RIBALTABILE TOTAL MASS TIP-UP MASSE TOTALE REBATABLE GESAMTIPPMASSE MASA TOTAL VOLCADA | [ton] | L | A | B | C | D | E | F | H | I | |
|---|---|---|---|------|--------------------------------------|-------|---|--------------------|---|-------|--|-------|------|----|----|-----|-----|---|---|---|---|--|
| | | | | | | | | | | | | | [mm] | | | | | | | | | |
| 750 6364 249 10 | M2/750/10 | 1107502490001 | 10 | 6364 | 360 | 127.2 | 175 | 25.9 | 922 | 277 | 645 | 140 | 150 | 73 | 70 | 296 | 340 | | | | | |
| 750 5727 249 9 | M2/750/9 | 1107502499001 | 9 | 5727 | 349 | 125.4 | 175 | 30.9 | 915 | 270 | 645 | 140 | 150 | 73 | 70 | 296 | 340 | | | | | |
| 750 5090 249 8 | M2/750/8 | 1107502498001 | 8 | 5090 | 345 | 122.2 | 175 | 36.2 | 908 | 263 | 645 | 140 | 150 | 73 | 70 | 296 | 340 | | | | | |
| 750 4453 249 7 | M2/750/7 | 1107502497001 | 7 | 4453 | 335 | 117.4 | 175 | 41.7 | 929 | 284 | 645 | 140 | 170 | 92 | 70 | 296 | 340 | | | | | |
| 750 3818 249 6 | M2/750/6 | 1107502496001 | 6 | 3818 | 330 | 110.7 | 175 | 47.6 | 922 | 277 | 645 | 140 | 170 | 92 | 70 | 296 | 340 | | | | | |
| 670 5564 249 10 | M2/670/10 | 1106702490001 | 10 | 5564 | 327 | 111.2 | 175 | 25.9 | 842 | 277 | 565 | 140 | 150 | 73 | 70 | 296 | 340 | | | | | |
| 670 5007 249 9 | M2/670/9 | 1106702499001 | 9 | 5007 | 315 | 109.6 | 175 | 30.9 | 835 | 270 | 565 | 140 | 150 | 73 | 70 | 296 | 340 | | | | | |
| 670 4450 249 8 | M2/670/8 | 1106702498001 | 8 | 4450 | 315 | 106.9 | 175 | 36.2 | 828 | 263 | 565 | 140 | 150 | 73 | 70 | 296 | 340 | | | | | |
| 670 3893 249 7 | M2/670/7 | 1106702497001 | 7 | 3893 | 307 | 102.7 | 175 | 41.7 | 849 | 284 | 565 | 140 | 170 | 92 | 70 | 296 | 340 | | | | | |
| 670 3338 249 6 | M2/670/6 | 1106702496001 | 6 | 3338 | 300 | 96.8 | 175 | 47.6 | 842 | 277 | 565 | 140 | 170 | 92 | 70 | 296 | 340 | | | | | |
| S565 4573 249 10 | S2/565/10 | 1205652490001 | 10 | 4573 | 281 | 92.8 | 175 | 28.2 | 737 | 255 | 482 | 118 | 150 | 73 | 70 | 296 | 340 | | | | | |
| S565 4108 249 9 | S2/565/9 | 1205652499001 | 9 | 4108 | 278 | 90.8 | 175 | 32.6 | 730 | 248 | 482 | 118 | 150 | 73 | 70 | 296 | 340 | | | | | |
| S565 3644 249 8 | S2/565/8 | 1205652498001 | 8 | 3644 | 275 | 87.8 | 175 | 37.1 | 723 | 241 | 482 | 118 | 150 | 73 | 70 | 296 | 340 | | | | | |
| S565 3180 249 7 | S2/565/7 | 1205652497001 | 7 | 3180 | 274 | 83.8 | 175 | 42.1 | 736 | 254 | 482 | 118 | 170 | 92 | 70 | 296 | 340 | | | | | |
| S565 2717 249 6 | S2/565/6 | 1205652496001 | 6 | 2717 | 272 | 78.6 | 175 | 47.6 | 737 | 255 | 482 | 118 | 170 | 92 | 70 | 296 | 340 | | | | | |
| SL 3873 249 10 | SL2/10 | 12000L2490001 | 10 | 3873 | 252 | 78.5 | 175 | 28.2 | 667 | 255 | 412 | 118 | 150 | 73 | 70 | 296 | 340 | | | | | |
| SL 3478 249 9 | SL2/9 | 12000L2499001 | 9 | 3478 | 249 | 76.7 | 175 | 32.6 | 660 | 248 | 412 | 118 | 150 | 73 | 70 | 296 | 340 | | | | | |
| SL 3084 249 8 | SL2/8 | 12000L2498001 | 8 | 3084 | 246 | 74.2 | 175 | 37.1 | 653 | 241 | 412 | 118 | 150 | 73 | 70 | 296 | 340 | | | | | |
| SL 2690 249 7 | SL2/7 | 12000L2497001 | 7 | 2690 | 246 | 70.8 | 175 | 42.1 | 666 | 254 | 412 | 118 | 170 | 92 | 70 | 296 | 340 | | | | | |
| SL 2297 249 6 | SL2/6 | 12000L2496001 | 6 | 2297 | 244 | 66.4 | 175 | 47.6 | 667 | 255 | 412 | 118 | 170 | 92 | 70 | 296 | 340 | | | | | |
| S470 3623 249 10 | S2/470/10 | 1204702490001 | 10 | 3623 | 241 | 73.4 | 175 | 28.2 | 642 | 255 | 387 | 118 | 150 | 73 | 70 | 296 | 340 | | | | | |
| S470 3253 249 9 | S2/470/9 | 1204702499001 | 9 | 3253 | 239 | 71.7 | 175 | 32.6 | 635 | 248 | 387 | 118 | 150 | 73 | 70 | 296 | 340 | | | | | |
| S470 2884 249 8 | S2/470/8 | 1204702498001 | 8 | 2884 | 237 | 69.4 | 175 | 37.1 | 628 | 241 | 387 | 118 | 150 | 73 | 70 | 296 | 340 | | | | | |
| S470 2515 249 7 | S2/470/7 | 1204702497001 | 7 | 2515 | 233 | 66.2 | 175 | 42.1 | 641 | 254 | 387 | 118 | 170 | 92 | 70 | 296 | 340 | | | | | |
| S470 2147 249 6 | S2/470/6 | 1204702496001 | 6 | 2147 | 231 | 62.0 | 175 | 47.6 | 642 | 255 | 387 | 118 | 170 | 92 | 70 | 296 | 340 | | | | | |
| SA 3073 249 10 | SA2/10 | 12000A2490001 | 10 | 3073 | 219 | 62.1 | 175 | 28.2 | 586 | 254 | 332 | 118 | 150 | 73 | 70 | 296 | 340 | | | | | |
| SA 2758 249 9 | SA2/9 | 12000A2499001 | 9 | 2758 | 217 | 60.7 | 175 | 32.6 | 579 | 247 | 332 | 118 | 150 | 73 | 70 | 296 | 340 | | | | | |
| SA 2444 249 8 | SA2/8 | 12000A2498001 | 8 | 2444 | 215 | 58.7 | 175 | 37.1 | 572 | 240 | 332 | 118 | 150 | 73 | 70 | 296 | 340 | | | | | |
| SA 2130 249 7 | SA2/7 | 12000A2497001 | 7 | 2130 | 215 | 56.0 | 175 | 42.1 | 585 | 253 | 332 | 118 | 170 | 92 | 70 | 296 | 340 | | | | | |
| SA 1817 249 6 | SA2/6 | 12000A2496001 | 6 | 1817 | 213 | 52.4 | 175 | 47.6 | 586 | 254 | 332 | 118 | 170 | 92 | 70 | 296 | 340 | | | | | |

M2 · S2

2/2

Accessori
Accessories
Accessoires
Zubehören
Accessorios



SUPPORTO CILINDRO CYLINDER SUPPORT
PALIER VERIN LAGER ZYLINDER
SOPORTE CILINDRO



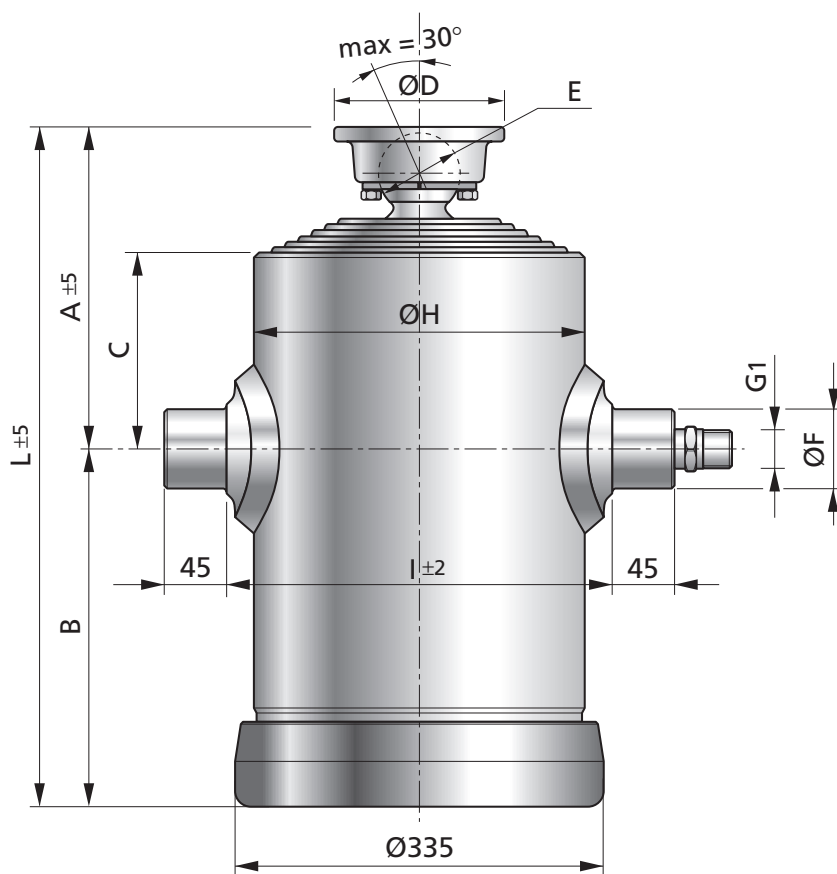
SUPPORTO BILANCIERE CRADLE SUPPORT
BALANCIER VERIN LAGER KIPPHEBEL
SOPORTE CUNA



BILANCIERE CRADLE BALANCIER
KIPPHEBEL CUNA



Vedi pagine 32-33 per dettagli
See pages 32-33 for details
Voyez pages 32-33 pour détails
Sehen Blatten 32-33 für Informationen
Ver hoias 32-33 para informaciones



M2 · S2

| TIPO TYPE TYP TIPO | SFILATE EXTENSION EXPANSION STUFENZAHL EXPANSION | DIAMETRO - DIAMETER DIAMÈTRE - DURCHMESSER - DIAMETRO [mm] | | | | | | | | | | max SPINTA THRUST POUSSEE KRAFT EMPUJE [kN] |
|-----------------------------|--|--|-------|-----|-----|-----|-----|-----|------|----|----|---|
| | | I | II | III | IV | V | VI | VII | VIII | IX | X | |
| M2 | 10 | 249 | 221.5 | 196 | 174 | 154 | 135 | 116 | 98 | 79 | 61 | 181 |
| | 9 | 249 | 221.5 | 196 | 174 | 154 | 135 | 116 | 98 | 79 | | 216 |
| | 8 | 249 | 221.5 | 196 | 174 | 154 | 135 | 116 | 98 | | | 254 |
| | 7 | 249 | 221.5 | 196 | 174 | 154 | 135 | 116 | | | | 292 |
| | 6 | 249 | 221.5 | 196 | 174 | 154 | 135 | | | | | 333 |
| S2 | 10 | 249 | 221.5 | 196 | 174 | 154 | 135 | 120 | 105 | 90 | 75 | 198 |
| | 9 | 249 | 221.5 | 196 | 174 | 154 | 135 | 120 | 105 | 90 | | 228 |
| | 8 | 249 | 221.5 | 196 | 174 | 154 | 135 | 120 | 105 | | | 260 |
| | 7 | 249 | 221.5 | 196 | 174 | 154 | 135 | 120 | | | | 295 |
| | 6 | 249 | 221.5 | 196 | 174 | 154 | 135 | | | | | 333 |

M 2 • S 2 DETTAGLI TECNICI TECHNICAL DATA DÉTAIL TECHNIQUES TECHNISCHE DATUM DETALLES TÉCNICOS

| ART. NUOVO NEW MODEL NOUVELLE DESCR. NEUE BEZEICHNUNG DESCRIPCION NUEVA | ART. VECCHIO OLD MODEL ANCIENNE DESCR. ALTE BEZ. DESCR. ANTIGUA | CODICE CODE CODE BESTELL-Nr. CODIGO | N. SFILATE - EXTENSION N. N. DES RALLONGES - N. EXTENSIONES STUFENZAHL - N. ERWEITERUNGEN | CORSA - POWER STROKE COURSE DE TRAVAIL GESAMTHUB - CARRERA [mm] | MASSA - MASS MASSE - MASSE MASA [kg] | OLIO ASSORBITO OIL CONSUMPTION HUILE CONSOMM. ÖLVERBRUCH ACEITE ABSORBIDO [dm ³] | PRESIONE MAX DI LAVORO MAX. WORKING PRESSURE PRESSION DE TRAVAIL MAX. MAXIMUM BETRIEBSDRUCK PRESION MAX. DE TRABAJO [bar] | MASSA TOTALE - RIBALTABILE TOTAL MASS TIP-UP MASSE TOTALE REBATABLE GESAMTIPPMASSE MASA TOTAL VOLCADA [ton] | L | A | B | C | D [mm] | E | F | H | I |
|---|---|---|---|--|---|---|--|--|-----|-----|-----|-----|-----------|----|----|-----|-----|
| SM 2870 249 10 | SM2/10 | 12000M2490001 | 10 | 2870 | 210 | 57.9 | 175 | 28.2 | 566 | 254 | 312 | 118 | 150 | 73 | 70 | 296 | 340 |
| SM 2575 249 9 | SM2/9 | 12000M2499001 | 9 | 2575 | 208 | 56.6 | 175 | 32.6 | 559 | 247 | 312 | 118 | 150 | 73 | 70 | 296 | 340 |
| SM 2281 249 8 | SM2/8 | 12000M2498001 | 8 | 2281 | 206 | 54.7 | 175 | 37.1 | 552 | 240 | 312 | 118 | 150 | 73 | 70 | 296 | 340 |
| SM 1987 249 7 | SM2/7 | 12000M2497001 | 7 | 1987 | 207 | 52.2 | 175 | 42.1 | 565 | 253 | 312 | 118 | 170 | 92 | 70 | 296 | 340 |
| SM 1694 249 6 | SM2/6 | 12000M2496001 | 6 | 1694 | 205 | 48.9 | 175 | 47.6 | 566 | 254 | 312 | 118 | 170 | 92 | 70 | 296 | 340 |
| SB/A 2689 249 10 | SB2/10A | 1200BA2490001 | 10 | 2689 | 207 | 56.2 | 175 | 28.2 | 521 | 251 | 270 | 160 | 150 | 73 | 70 | 296 | 340 |
| SB/A 2440 249 9 | SB2/9A | 1200BA2499001 | 9 | 2440 | 205 | 55.1 | 175 | 32.6 | 521 | 251 | 270 | 160 | 150 | 73 | 70 | 296 | 340 |
| SB/A 2185 249 8 | SB2/8A | 1200BA2498001 | 8 | 2185 | 204 | 53.5 | 175 | 37.1 | 521 | 251 | 270 | 160 | 150 | 73 | 70 | 296 | 340 |
| SB/A 1923 249 7 | SB2/7A | 1200BA2497001 | 7 | 1923 | 205 | 51.2 | 175 | 42.1 | 541 | 271 | 270 | 160 | 170 | 92 | 70 | 296 | 340 |
| SB/A 1655 249 6 | SB2/6A | 1200BA2496001 | 6 | 1655 | 203 | 48.2 | 175 | 47.6 | 549 | 279 | 270 | 160 | 170 | 92 | 70 | 296 | 340 |
| SB 2480 249 10 | SB2/10 | 12000B2490001 | 10 | 2480 | 192 | 51.5 | 175 | 28.2 | 492 | 225 | 267 | 128 | 150 | 73 | 70 | 296 | 340 |
| SB 2246 249 9 | SB2/9 | 12000B2499001 | 9 | 2246 | 191 | 50.5 | 175 | 32.6 | 490 | 223 | 267 | 128 | 150 | 73 | 70 | 296 | 340 |
| SB 2007 249 8 | SB2/8 | 12000B2498001 | 8 | 2007 | 190 | 49.0 | 175 | 37.1 | 488 | 221 | 267 | 128 | 150 | 73 | 70 | 296 | 340 |
| SB 1765 249 7 | SB2/7 | 12000B2497001 | 7 | 1765 | 191 | 46.9 | 175 | 42.1 | 506 | 239 | 267 | 128 | 170 | 92 | 70 | 296 | 340 |
| SB 1517 249 6 | SB2/6 | 12000B2496001 | 6 | 1517 | 190 | 44.1 | 175 | 47.6 | 512 | 245 | 267 | 128 | 170 | 92 | 70 | 296 | 340 |
| SC 2130 249 10 | SC2/10 | 12000C2490001 | 10 | 2130 | 178 | 44.6 | 175 | 28.2 | 451 | 189 | 262 | 100 | 150 | 73 | 70 | 296 | 340 |
| SC 1937 249 9 | SC2/9 | 12000C2499001 | 9 | 1937 | 177 | 43.8 | 175 | 32.6 | 451 | 189 | 262 | 100 | 150 | 73 | 70 | 296 | 340 |
| SC 1737 249 8 | SC2/8 | 12000C2498001 | 8 | 1737 | 176 | 42.5 | 175 | 37.1 | 451 | 189 | 262 | 100 | 150 | 73 | 70 | 296 | 340 |
| SC 1532 249 7 | SC2/7 | 12000C2497001 | 7 | 1532 | 178 | 40.7 | 175 | 42.1 | 471 | 209 | 262 | 100 | 170 | 92 | 70 | 296 | 340 |
| SC 1319 249 6 | SC2/6 | 12000C2496001 | 6 | 1319 | 177 | 38.3 | 175 | 47.6 | 479 | 217 | 262 | 100 | 170 | 92 | 70 | 296 | 340 |
| SCC 1857 249 10 | SCC2/10 | 1200CC2490001 | 10 | 1857 | 165 | 38.5 | 175 | 28.2 | 418 | 202 | 216 | 118 | 150 | 73 | 70 | 296 | 340 |
| SCC 1684 249 9 | SCC2/9 | 1200CC2499001 | 9 | 1684 | 164 | 37.7 | 175 | 32.6 | 418 | 202 | 216 | 118 | 150 | 73 | 70 | 296 | 340 |
| SCC 1504 249 8 | SCC2/8 | 1200CC2498001 | 8 | 1504 | 164 | 36.6 | 175 | 37.1 | 418 | 202 | 216 | 118 | 150 | 73 | 70 | 296 | 340 |
| SCC 1319 249 7 | SCC2/7 | 1200CC2497001 | 7 | 1319 | 165 | 35.0 | 175 | 42.1 | 438 | 222 | 216 | 118 | 170 | 92 | 70 | 296 | 340 |
| SCC 1126 249 6 | SCC2/6 | 1200CC2496001 | 6 | 1126 | 164 | 32.8 | 175 | 47.6 | 446 | 230 | 216 | 118 | 170 | 92 | 70 | 296 | 340 |

M1 · S1

1/2

Accessori
Accessories
Accessoires
Zubehören
Accessorios



SUPPORTO CILINDRO CYLINDER SUPPORT
PALIER VERIN LAGER ZYLINDER
SOPORTE CILINDRO



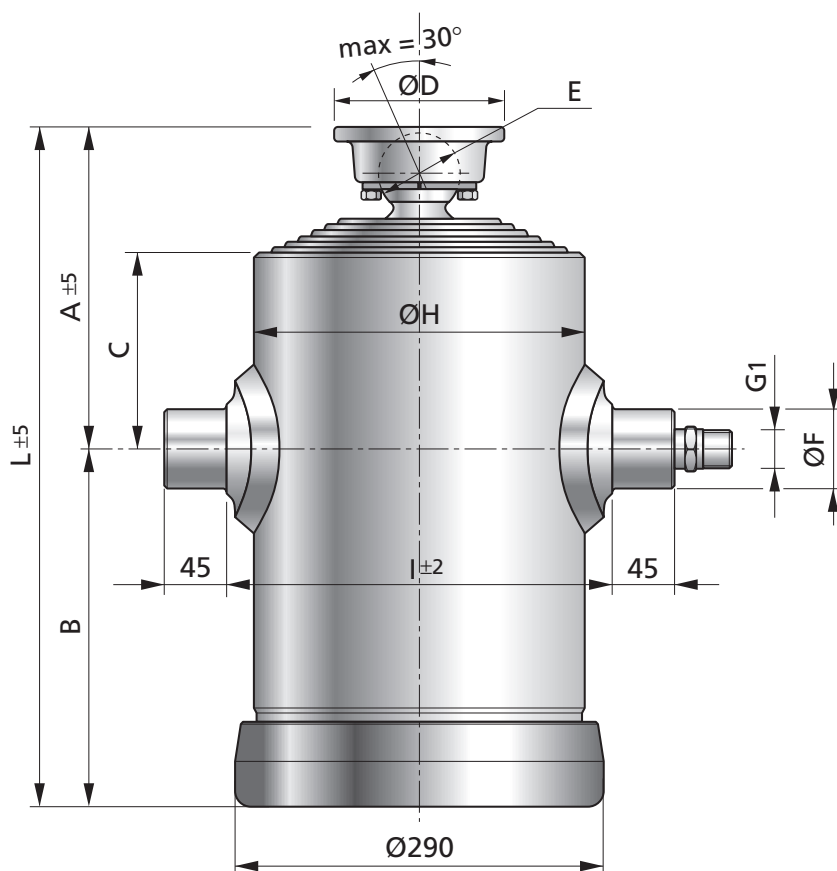
SUPPORTO BILANCIERE CRADLE SUPPORT
BALANCIER VERIN LAGER KIPPHEBEL
SOPORTE CUNA



BILANCIERE CRADLE BALANCIER
KIPPHEBEL CUNA



Vedi pagine 32-33 per dettagli
See pages 32-33 for details
Voyez pages 32-33 pour détails
Sehen Blatten 32-33 für Informationen
Ver hoias 32-33 para informaciones



M1 · S1

| TIPO TYPE TYP TIPO | SFILATE EXTENSION EXPANSION STUFENZAHL EXPANSION | DIAMETRO - DIAMETER DIAMÈTRE - DURCHMESSER - DIAMETRO [mm] | | | | | | | | | | max SPINTA THRUST POUSSEE KRAFT EMPUJE [kN] |
|-----------------------------|--|--|-----|-----|-----|-----|-----|-----|------|----|----|---|
| | | I | II | III | IV | V | VI | VII | VIII | IX | X | |
| M1 | 9 | 221.5 | 196 | 174 | 154 | 135 | 116 | 98 | 79 | 61 | | 158 |
| | 8 | 221.5 | 196 | 174 | 154 | 135 | 116 | 98 | 79 | | | 190 |
| | 7 | 221.5 | 196 | 174 | 154 | 135 | 116 | 98 | | | | 224 |
| | 6 | 221.5 | 196 | 174 | 154 | 135 | 116 | | | | | 258 |
| S1 | 10 | 221.5 | 196 | 174 | 154 | 135 | 120 | 105 | 90 | 75 | 60 | 149 |
| | 9 | 221.5 | 196 | 174 | 154 | 135 | 120 | 105 | 90 | 75 | | 175 |
| | 8 | 221.5 | 196 | 174 | 154 | 135 | 120 | 105 | 90 | | | 202 |
| | 7 | 221.5 | 196 | 174 | 154 | 135 | 120 | 105 | | | | 230 |
| | 6 | 221.5 | 196 | 174 | 154 | 135 | 120 | | | | | 261 |

M 1 • S 1 DETAGLI TECNICI TECHNICAL DATA DÉTAIL TECHNIQUES TECHNISCHE DATUM DETALLES TÉCNICOS

| ART. NUOVO NEW MODEL NOUVELLE DESCR. NEUE BEZEICHNUNG DESCRIPCION NUEVA | ART. VECCHIO OLD MODEL ANCIENNE DESCR. ALTE BEZ. DESCR. ANTIGUA | CODICE CODE CODE BESTELL-Nr. CODIGO | N. SFILATE - EXTENSION N. N. DES TRALLONGES - N. EXPAISIONES STUFENZAHL - N. EXPANSIONES | CORSO - POWER STROKE COURSE DE TRAVAIL GESAMTHUB - CARRERA | MASSA - MASS MASSE - MASSE MASA | OLIO ASSORBITO OIL CONSUMPTION HUILE CONSOMM. ÖLVERBRUCH ACEITE ABSORBIDO | PRESSIONE MAX DI LAVORO MAX. WORKING PRESSURE PRESSION DE TRAVAIL MAX. MAXIMUM BETRIEBSDRUCK PRESSION MAX. DE TRABAJO | MASSA TOTALE - RIBALTABILE TOTAL MASS TIP-UP MASSE TOTALE REBATABLE GESAMTIPPMASSE MASA TOTAL VOLCADA | L | A | B | C | D [mm] | E | F | H | I |
|---|---|---|--|--|---------------------------------------|---|---|---|-----|-----|-----|-----|-----------|----|----|-----|-----|
| | | | | | | | | | | | | | | | | | |
| 750 5731 221 9 | M1/750/9 | 1107502219001 | 9 | 5731 | 263 | 96.4 | 200 | 22.6 | 907 | 255 | 652 | 123 | 150 | 73 | 70 | 252 | 340 |
| 750 5094 221 8 | M1/750/8 | 1107502218001 | 8 | 5094 | 252 | 94.6 | 200 | 27.2 | 900 | 248 | 652 | 123 | 150 | 73 | 70 | 252 | 340 |
| 750 4457 221 7 | M1/750/7 | 1107502217001 | 7 | 4457 | 248 | 91.4 | 200 | 31.9 | 893 | 241 | 652 | 123 | 150 | 73 | 70 | 252 | 340 |
| 750 3820 221 6 | M1/750/6 | 1107502216001 | 6 | 3820 | 238 | 86.6 | 200 | 36.9 | 914 | 262 | 652 | 123 | 170 | 92 | 70 | 252 | 340 |
| 670 5011 221 9 | M1/670/9 | 1106702219001 | 9 | 5011 | 241 | 84.3 | 200 | 22.6 | 827 | 255 | 572 | 123 | 150 | 73 | 70 | 252 | 340 |
| 670 4454 221 8 | M1/670/8 | 1106702218001 | 8 | 4454 | 232 | 82.7 | 200 | 27.2 | 820 | 248 | 572 | 123 | 150 | 73 | 70 | 252 | 340 |
| 670 3897 221 7 | M1/670/7 | 1106702217001 | 7 | 3897 | 231 | 80.0 | 200 | 31.9 | 813 | 241 | 572 | 123 | 150 | 73 | 70 | 252 | 340 |
| 670 3340 221 6 | M1/670/6 | 1106702216001 | 6 | 3340 | 223 | 75.8 | 200 | 36.9 | 834 | 262 | 572 | 123 | 170 | 92 | 70 | 252 | 340 |
| S565 4592 221 10 | S1/565/10 | 1205652210001 | 10 | 4592 | 203 | 72.4 | 200 | 21.3 | 729 | 257 | 472 | 118 | 150 | 73 | 55 | 252 | 310 |
| S565 4127 221 9 | S1/565/9 | 1205652219001 | 9 | 4127 | 194 | 71.1 | 200 | 24.9 | 722 | 250 | 472 | 118 | 150 | 73 | 55 | 252 | 310 |
| S565 3663 221 8 | S1/565/8 | 1205652218001 | 8 | 3663 | 191 | 69.1 | 200 | 28.8 | 715 | 243 | 472 | 118 | 150 | 73 | 55 | 252 | 310 |
| S565 3198 221 7 | S1/565/7 | 1205652217001 | 7 | 3198 | 188 | 66.1 | 200 | 32.9 | 708 | 236 | 472 | 118 | 150 | 73 | 55 | 252 | 310 |
| S565 2735 221 6 | S1/565/6 | 1205652216001 | 6 | 2735 | 185 | 62.1 | 200 | 37.3 | 721 | 249 | 472 | 118 | 170 | 92 | 55 | 252 | 310 |
| SL 3892 221 10 | SL1/10 | 12000L2210001 | 10 | 3892 | 183 | 61.3 | 200 | 21.3 | 659 | 257 | 402 | 118 | 150 | 73 | 55 | 252 | 310 |
| SL 3497 221 9 | SL1/9 | 12000L2219001 | 9 | 3497 | 174 | 60.2 | 200 | 24.9 | 652 | 250 | 402 | 118 | 150 | 73 | 55 | 252 | 310 |
| SL 3103 221 8 | SL1/8 | 12000L2218001 | 8 | 3103 | 172 | 58.5 | 200 | 28.8 | 645 | 243 | 402 | 118 | 150 | 73 | 55 | 252 | 310 |
| SL 2708 221 7 | SL1/7 | 12000L2217001 | 7 | 2708 | 169 | 56.0 | 200 | 32.9 | 638 | 236 | 402 | 118 | 150 | 73 | 55 | 252 | 310 |
| SL 2315 221 6 | SL1/6 | 12000L2216001 | 6 | 2315 | 169 | 52.5 | 200 | 37.3 | 651 | 249 | 402 | 118 | 170 | 92 | 55 | 252 | 310 |
| S470 3642 221 10 | S1/470/10 | 1204702210001 | 10 | 3642 | 176 | 57.3 | 200 | 21.3 | 634 | 257 | 377 | 118 | 150 | 73 | 55 | 252 | 310 |
| S470 3272 221 9 | S1/470/9 | 1204702219001 | 9 | 3272 | 167 | 56.3 | 200 | 24.9 | 627 | 250 | 377 | 118 | 150 | 73 | 55 | 252 | 310 |
| S470 2903 221 8 | S1/470/8 | 1204702218001 | 8 | 2903 | 165 | 54.7 | 200 | 28.8 | 620 | 243 | 377 | 118 | 150 | 73 | 55 | 252 | 310 |
| S470 2533 221 7 | S1/470/7 | 1204702217001 | 7 | 2533 | 162 | 52.3 | 200 | 32.9 | 613 | 236 | 377 | 118 | 150 | 73 | 55 | 252 | 310 |
| S470 2165 221 6 | S1/470/6 | 1204702216001 | 6 | 2165 | 162 | 49.1 | 200 | 37.3 | 626 | 249 | 377 | 118 | 170 | 92 | 55 | 252 | 310 |
| SA 3092 221 10 | SA1/10 | 12000A2210001 | 10 | 3092 | 159 | 48.6 | 200 | 21.3 | 578 | 256 | 322 | 118 | 150 | 73 | 55 | 252 | 310 |
| SA 2777 221 9 | SA1/9 | 12000A2219001 | 9 | 2777 | 152 | 47.7 | 200 | 24.9 | 571 | 249 | 322 | 118 | 150 | 73 | 55 | 252 | 310 |
| SA 2463 221 8 | SA1/8 | 12000A2218001 | 8 | 2463 | 150 | 46.3 | 200 | 28.8 | 564 | 242 | 322 | 118 | 150 | 73 | 55 | 252 | 310 |
| SA 2148 221 7 | SA1/7 | 12000A2217001 | 7 | 2148 | 148 | 44.3 | 200 | 32.9 | 557 | 235 | 322 | 118 | 150 | 73 | 55 | 252 | 310 |
| SA 1835 221 6 | SA1/6 | 12000A2216001 | 6 | 1835 | 148 | 41.6 | 200 | 37.3 | 570 | 248 | 322 | 118 | 170 | 92 | 55 | 252 | 310 |
| SM 2889 221 10 | SM1/10 | 12000M2210001 | 10 | 2889 | 153 | 45.3 | 200 | 21.3 | 558 | 261 | 297 | 123 | 150 | 73 | 55 | 252 | 310 |
| SM 2594 221 9 | SM1/9 | 12000M2219001 | 9 | 2594 | 146 | 44.5 | 200 | 24.9 | 551 | 254 | 297 | 123 | 150 | 73 | 55 | 252 | 310 |

M1 · S1

2/2

Accessori
Accessories
Accessoires
Zubehören
Accessorios



SUPPORTO CILINDRO CYLINDER SUPPORT
PALIER VERIN LAGER ZYLINDER
SOPORTE CILINDRO



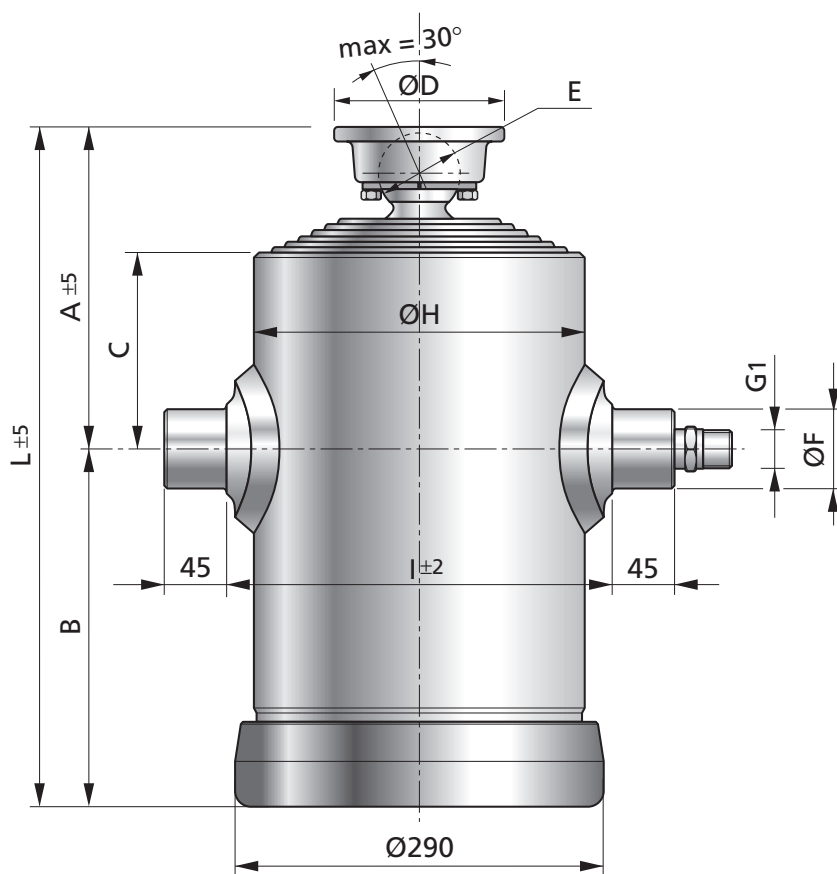
SUPPORTO BILANCIERE CRADLE SUPPORT
BALANCIER VERIN LAGER KIPPHEBEL
SOPORTE CUNA



BILANCIERE CRADLE BALANCIER
KIPPHEBEL CUNA



Vedi pagine 32-33 per dettagli
See pages 32-33 for details
Voyez pages 32-33 pour détails
Sehen Blatten 32-33 für Informationen
Ver hoias 32-33 para informaciones



M1 · S1

| TIPO TYPE TYP TIPO | SFILATE EXTENSION EXPANSION STUFENZAHL EXPANSION | DIAMETRO - DIAMETER DIAMÈTRE - DURCHMESSER - DIAMETRO [mm] | | | | | | | | | | max SPINTA THRUST POUSSEE KRAFT EMPUJE [kN] |
|-----------------------------|--|--|-----|-----|-----|-----|-----|-----|------|----|----|---|
| | | I | II | III | IV | V | VI | VII | VIII | IX | X | |
| M1 | 9 | 221.5 | 196 | 174 | 154 | 135 | 116 | 98 | 79 | 61 | | 158 |
| | 8 | 221.5 | 196 | 174 | 154 | 135 | 116 | 98 | 79 | | | 190 |
| | 7 | 221.5 | 196 | 174 | 154 | 135 | 116 | 98 | | | | 224 |
| | 6 | 221.5 | 196 | 174 | 154 | 135 | 116 | | | | | 258 |
| S1 | 10 | 221.5 | 196 | 174 | 154 | 135 | 120 | 105 | 90 | 75 | 60 | 149 |
| | 9 | 221.5 | 196 | 174 | 154 | 135 | 120 | 105 | 90 | 75 | | 175 |
| | 8 | 221.5 | 196 | 174 | 154 | 135 | 120 | 105 | 90 | | | 202 |
| | 7 | 221.5 | 196 | 174 | 154 | 135 | 120 | 105 | | | | 230 |
| | 6 | 221.5 | 196 | 174 | 154 | 135 | 120 | | | | | 261 |

M 1 · S 1 DETAGLI TECNICI TECHNICAL DATA DÉTAIL TECHNIQUES TECHNISCHE DATUM DETALLES TÉCNICOS

| ART. NUOVO NEW MODEL NOUVELLE DESCR. NEUE BEZEICHNUNG DESCRIPCION NUEVA | ART. VECCHIO OLD MODEL ANCIENNE DESCR. ALTE BEZ. DESCR. ANTIGUA | CODICE CODE CODE BESTELL-Nr. CODIGO | N. SFILATE - EXTENSION N. N. DES TRALLONGES - N. EXPAISIONES STUFENZAHL - N. EXPAISIONES | CORSA - POWER STROKE COURSE DE TRAVAIL GESAMTHUB - CARRERA | MASSA - MASS MASSE - MASSE MASA | OLIO ASSORBITO OIL CONSUMPTION HUILE CONSOMM. ÖLVERBRUCH ACEITE ABSORBIDO | PRESIONE MAX DI LAVORO MAX. WORKING PRESSURE PRESSION DE TRAVAIL MAX. MAXIMUM BETRIEBSDRUCK PRESION MAX. DE TRABAJO | MASSA TOTALE - RIBALTABILE TOTAL MASS TIP-UP MASSE TOTALE REBATABLE GESAMTIPPMASSE MASA TOTAL VOLCADA | L | A | B | C | D [mm] | E | F | H | I |
|---|---|---|--|--|---------------------------------------|---|---|---|-----|-----|-----|-----|-----------|----|----|-----|-----|
| SM 2300 221 8 | SM1/8 | 12000M2218001 | 8 | 2300 | 144 | 43.2 | 200 | 28.8 | 544 | 247 | 297 | 123 | 150 | 73 | 55 | 252 | 310 |
| SM 2005 221 7 | SM1/7 | 12000M2217001 | 7 | 2005 | 140 | 41.3 | 200 | 32.9 | 537 | 240 | 297 | 123 | 150 | 73 | 55 | 252 | 310 |
| SM 1712 221 6 | SM1/6 | 12000M2216001 | 6 | 1712 | 141 | 38.8 | 200 | 37.3 | 550 | 253 | 297 | 123 | 170 | 92 | 55 | 252 | 310 |
| SB/A 2655 221 10 | SB1/10A | 1200BA2210001 | 10 | 2655 | 148 | 43.5 | 200 | 21.3 | 506 | 254 | 252 | 168 | 150 | 73 | 55 | 252 | 310 |
| SB/A 2413 221 9 | SB1/9A | 1200BA2219001 | 9 | 2413 | 142 | 42.8 | 200 | 24.9 | 506 | 254 | 252 | 168 | 150 | 73 | 55 | 252 | 310 |
| SB/A 2165 221 8 | SB1/8A | 1200BA2218001 | 8 | 2165 | 141 | 41.7 | 200 | 28.8 | 506 | 254 | 252 | 168 | 150 | 73 | 55 | 252 | 310 |
| SB/A 1909 221 7 | SB1/7A | 1200BA2217001 | 7 | 1909 | 139 | 40.1 | 200 | 32.9 | 506 | 254 | 252 | 168 | 150 | 73 | 55 | 252 | 310 |
| SB/A 1648 221 6 | SB1/6A | 1200BA2216001 | 6 | 1648 | 140 | 37.8 | 200 | 37.3 | 526 | 274 | 252 | 168 | 170 | 92 | 55 | 252 | 310 |
| SB 2458 221 10 | SB1/10 | 12000B2210001 | 10 | 2458 | 137 | 40.0 | 200 | 21.3 | 479 | 252 | 227 | 153 | 150 | 73 | 55 | 252 | 310 |
| SB 2229 221 9 | SB1/9 | 12000B2219001 | 9 | 2229 | 132 | 39.3 | 200 | 24.9 | 477 | 250 | 227 | 153 | 150 | 73 | 55 | 252 | 310 |
| SB 1995 221 8 | SB1/8 | 12000B2218001 | 8 | 1995 | 131 | 38.3 | 200 | 28.8 | 475 | 248 | 227 | 153 | 150 | 73 | 55 | 252 | 310 |
| SB 1756 221 7 | SB1/7 | 12000B2217001 | 7 | 1756 | 129 | 36.8 | 200 | 32.9 | 473 | 246 | 227 | 153 | 150 | 73 | 55 | 252 | 310 |
| SB 1514 221 6 | SB1/6 | 12000B2216001 | 6 | 1514 | 130 | 34.7 | 200 | 37.3 | 491 | 264 | 227 | 153 | 170 | 92 | 55 | 252 | 310 |
| SC 2098 221 10 | SC1/10 | 12000C2210001 | 10 | 2098 | 127 | 34.6 | 200 | 21.3 | 436 | 242 | 194 | 153 | 150 | 73 | 55 | 252 | 310 |
| SC 1912 221 9 | SC1/9 | 12000C2219001 | 9 | 1912 | 122 | 34.1 | 200 | 24.9 | 436 | 242 | 194 | 153 | 150 | 73 | 55 | 252 | 310 |
| SC 1719 221 8 | SC1/8 | 12000C2218001 | 8 | 1719 | 121 | 33.2 | 200 | 28.8 | 436 | 242 | 194 | 153 | 150 | 73 | 55 | 252 | 310 |
| SC 1519 221 7 | SC1/7 | 12000C2217001 | 7 | 1519 | 120 | 31.9 | 200 | 32.9 | 436 | 242 | 194 | 153 | 150 | 73 | 55 | 252 | 310 |
| SC 1314 221 6 | SC1/6 | 12000C2216001 | 6 | 1314 | 121 | 30.2 | 200 | 37.3 | 456 | 262 | 194 | 153 | 170 | 92 | 55 | 252 | 310 |
| SCC 1838 221 10 | SCC1/10 | 1200CC2210001 | 10 | 1838 | 117 | 30.0 | 200 | 21.3 | 403 | 202 | 201 | 118 | 150 | 73 | 55 | 252 | 310 |
| SCC 1672 221 9 | SCC1/9 | 1200CC2219001 | 9 | 1672 | 113 | 29.5 | 200 | 24.9 | 403 | 202 | 201 | 118 | 150 | 73 | 55 | 252 | 310 |
| SCC 1499 221 8 | SCC1/8 | 1200CC2218001 | 8 | 1499 | 112 | 28.7 | 200 | 28.8 | 403 | 202 | 201 | 118 | 150 | 73 | 55 | 252 | 310 |
| SCC 1319 221 7 | SCC1/7 | 1200CC2217001 | 7 | 1319 | 112 | 27.6 | 200 | 32.9 | 403 | 202 | 201 | 118 | 150 | 73 | 55 | 252 | 310 |
| SCC 1134 221 6 | SCC1/6 | 1200CC2216001 | 6 | 1134 | 113 | 26.0 | 200 | 37.3 | 423 | 222 | 201 | 118 | 170 | 92 | 55 | 252 | 310 |

M 01 • S 01

1/2

Accessori
Accessories
Accessoires
Zubehören
Accessorios



SUPPORTO CILINDRO CYLINDER SUPPORT
PALIER VERIN LAGER ZYLINDER
SOPORTE CILINDRO



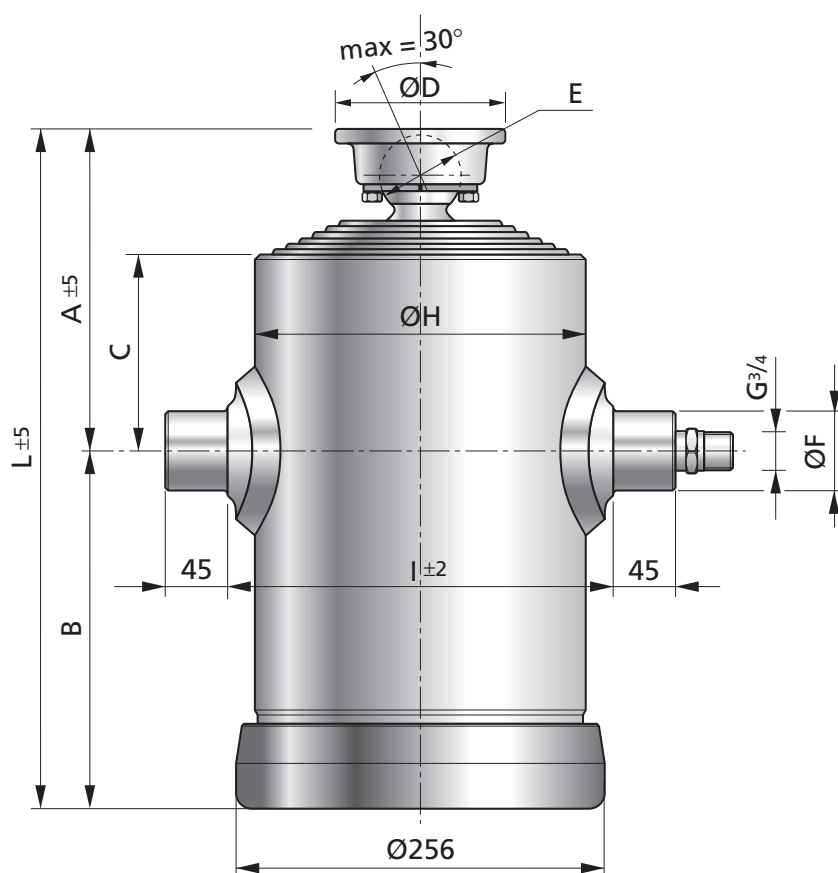
SUPPORTO BILANCIERE CRADLE SUPPORT
BALANCIER VERIN LAGER KIPPHEBEL
SOPORTE CUNA



BILANCIERE CRADLE BALANCIER
KIPPHEBEL CUNA



Vedi pagine 32-33 per dettagli
See pages 32-33 for details
Voyez pages 32-33 pour détails
Sehen Blatten 32-33 für Informationen
Ver hoias 32-33 para informaciones



M 01 • S 01

| TIPO TYPE TYP TIPO | SFILATE EXTENSION EXPANSION STUFENZAHL EXPANSION | DIAMETRO - DIAMETER DIAMÈTRE - DURCHMESSER - DIAMETRO [mm] | | | | | | | | | max SPINTA THRUST POUSSEE KRAFT EMPUJE [kN] |
|-----------------------------|--|--|-----|-----|-----|-----|-----|-----|------|----|---|
| | | I | II | III | IV | V | VI | VII | VIII | IX | |
| M 01 | 8 | 196 | 174 | 154 | 135 | 116 | 98 | 79 | 61 | | 138 |
| | 7 | 196 | 174 | 154 | 135 | 116 | 98 | 79 | | | 167 |
| | 6 | 196 | 174 | 154 | 135 | 116 | 98 | | | | 197 |
| | 5 | 196 | 174 | 154 | 135 | 116 | | | | | 228 |
| S 01 | 9 | 196 | 174 | 154 | 135 | 120 | 105 | 90 | 75 | 60 | 131 |
| | 8 | 196 | 174 | 154 | 135 | 120 | 105 | 90 | 75 | | 154 |
| | 7 | 196 | 174 | 154 | 135 | 120 | 105 | 90 | | | 178 |
| | 6 | 196 | 174 | 154 | 135 | 120 | 105 | | | | 204 |
| | 5 | 196 | 174 | 154 | 135 | 120 | | | | | 231 |

M 01 · S 01 DETAGLI TECNICI TECHNICAL DATA DÉTAIL TECHNIQUES TECHNISCHE DATUM DETALLES TÉCNICOS

| ART. NUOVO NEW MODEL NOUVELLE DESCR. NEUE BEZEICHNUNG DESCRIPCION NUEVA | ART. VECCHIO OLD MODEL ANCIENNE DESCR. ALTE BEZ. DESCR. ANTIGUA | CODICE CODE CODE BESTELL-Nr. CODIGO | N. SFILATE - EXTENSION N. N. DES TRALLONGES - N. EXPAISIONES STUFENZAHL - N. EXPAISIONES | CORSA - POWER STROKE COURSE DE TRAVAIL GESAMTHUB - CARRERA | MASSA - MASS MASSE - MASSE MASA | OLIO ASSORBITO OIL CONSUMPTION HUILE CONSOMM. ÖLVERBRUCH ACEITE ABSORBIDO | PRESIONE MAX DI LAVORO MAX. WORKING PRESSURE PRESSION DE TRAVAIL MAX. MAXIMUM BETRIEBSDRUCK PRESSION MAX. DE TRABAJO | MASSA TOTALE - RIBALTABILE TOTAL MASS TIP-UP MASSE TOTALE REBATABLE GESAMTIPPMASSE MASA TOTAL VOLCADA | L | A | B | C | D [mm] | E | F | H | I |
|---|---|---|--|--|---------------------------------------|---|--|---|-----|-----|-----|-----|-----------|----|----|-----|-----|
| 750 5096 196 8 | M01/750/8 | 1107501968001 | 8 | 5096 | 215 | 71.9 | 200 | 21.4 | 901 | 255 | 646 | 128 | 150 | 73 | 50 | 228 | 268 |
| 750 4459 196 7 | M01/750/7 | 1107501967001 | 7 | 4459 | 207 | 70.1 | 200 | 25.8 | 894 | 248 | 646 | 128 | 150 | 73 | 50 | 228 | 268 |
| 750 3822 196 6 | M01/750/6 | 1107501966001 | 6 | 3822 | 194 | 67.0 | 200 | 30.5 | 887 | 241 | 646 | 128 | 150 | 73 | 50 | 228 | 268 |
| 750 3185 196 5 | M01/750/5 | 1107501965001 | 5 | 3185 | 184 | 62.2 | 200 | 35.3 | 908 | 262 | 646 | 128 | 170 | 92 | 50 | 228 | 268 |
| 670 4456 196 8 | M01/670/8 | 1106701968001 | 8 | 4456 | 180 | 62.9 | 200 | 21.4 | 821 | 255 | 566 | 128 | 150 | 73 | 50 | 228 | 268 |
| 670 3899 196 7 | M01/670/7 | 1106701967001 | 7 | 3899 | 173 | 61.3 | 200 | 25.8 | 814 | 248 | 566 | 128 | 150 | 73 | 50 | 228 | 268 |
| 670 3342 196 6 | M01/670/6 | 1106701966001 | 6 | 3342 | 169 | 58.6 | 200 | 30.5 | 807 | 241 | 566 | 128 | 150 | 73 | 50 | 228 | 268 |
| 670 2785 196 5 | M01/670/5 | 1106701965001 | 5 | 2785 | 164 | 54.4 | 200 | 35.3 | 828 | 262 | 566 | 128 | 170 | 92 | 50 | 228 | 268 |
| S565 4143 196 9 | S01/565/9 | 1205651969001 | 9 | 4143 | 153 | 55.2 | 200 | 20.3 | 723 | 252 | 471 | 118 | 150 | 73 | 50 | 228 | 268 |
| S565 3679 196 8 | S01/565/8 | 1205651968001 | 8 | 3679 | 151 | 53.9 | 200 | 23.8 | 716 | 245 | 471 | 118 | 150 | 73 | 50 | 228 | 268 |
| S565 3214 196 7 | S01/565/7 | 1205651967001 | 7 | 3214 | 148 | 51.8 | 200 | 27.6 | 709 | 238 | 471 | 118 | 150 | 73 | 50 | 228 | 268 |
| S565 2750 196 6 | S01/565/6 | 1205651966001 | 6 | 2750 | 145 | 48.8 | 200 | 31.6 | 702 | 231 | 471 | 118 | 150 | 73 | 50 | 228 | 268 |
| S565 2286 196 5 | S01/565/5 | 1205651965001 | 5 | 2286 | 144 | 44.8 | 200 | 35.8 | 715 | 244 | 471 | 118 | 170 | 92 | 50 | 228 | 268 |
| SL 3513 196 9 | SL01/9 | 12000L1969001 | 9 | 3513 | 139 | 46.7 | 200 | 20.3 | 653 | 252 | 401 | 118 | 150 | 73 | 50 | 228 | 268 |
| SL 3119 196 8 | SL01/8 | 12000L1968001 | 8 | 3119 | 136 | 45.6 | 200 | 23.8 | 646 | 245 | 401 | 118 | 150 | 73 | 50 | 228 | 268 |
| SL 2724 196 7 | SL01/7 | 12000L1967001 | 7 | 2724 | 133 | 43.9 | 200 | 27.6 | 639 | 238 | 401 | 118 | 150 | 73 | 50 | 228 | 268 |
| SL 2330 196 6 | SL01/6 | 12000L1966001 | 6 | 2330 | 130 | 41.4 | 200 | 31.6 | 632 | 231 | 401 | 118 | 150 | 73 | 50 | 228 | 268 |
| SL 1936 196 5 | SL01/5 | 12000L1965001 | 5 | 1936 | 131 | 38.0 | 200 | 35.8 | 645 | 244 | 401 | 118 | 170 | 92 | 50 | 228 | 268 |
| S470 3288 196 9 | S01/470/9 | 1204701969001 | 9 | 3288 | 139 | 43.7 | 200 | 20.3 | 628 | 252 | 376 | 118 | 150 | 73 | 50 | 228 | 268 |
| S470 2919 196 8 | S01/470/8 | 1204701968001 | 8 | 2919 | 130 | 42.7 | 200 | 23.8 | 621 | 245 | 376 | 118 | 150 | 73 | 50 | 228 | 268 |
| S470 2549 196 7 | S01/470/7 | 1204701967001 | 7 | 2549 | 128 | 41.0 | 200 | 27.6 | 614 | 238 | 376 | 118 | 150 | 73 | 50 | 228 | 268 |
| S470 2180 196 6 | S01/470/6 | 1204701966001 | 6 | 2180 | 125 | 38.7 | 200 | 31.6 | 607 | 231 | 376 | 118 | 150 | 73 | 50 | 228 | 268 |
| S470 1811 196 5 | S01/470/5 | 1204701965001 | 5 | 1811 | 124 | 35.5 | 200 | 35.8 | 620 | 244 | 376 | 118 | 170 | 92 | 50 | 228 | 268 |
| SA 2793 196 9 | SA01/9 | 12000A1969001 | 9 | 2793 | 126 | 37.1 | 200 | 20.3 | 572 | 251 | 321 | 118 | 150 | 73 | 50 | 228 | 268 |
| SA 2479 196 8 | SA01/8 | 12000A1968001 | 8 | 2479 | 117 | 36.2 | 200 | 23.8 | 565 | 244 | 321 | 118 | 150 | 73 | 50 | 228 | 268 |
| SA 2164 196 7 | SA01/7 | 12000A1967001 | 7 | 2164 | 116 | 34.8 | 200 | 27.6 | 558 | 237 | 321 | 118 | 150 | 73 | 50 | 228 | 268 |
| SA 1850 196 6 | SA01/6 | 12000A1966001 | 6 | 1850 | 114 | 32.8 | 200 | 31.6 | 551 | 230 | 321 | 118 | 150 | 73 | 50 | 228 | 268 |
| SA 1536 196 5 | SA01/5 | 12000A1965001 | 5 | 1536 | 114 | 30.1 | 200 | 35.8 | 564 | 243 | 321 | 118 | 170 | 92 | 50 | 228 | 268 |
| SM 2613 196 9 | SM01/9 | 12000M1969001 | 9 | 2613 | 121 | 34.7 | 200 | 20.3 | 552 | 261 | 291 | 128 | 150 | 73 | 50 | 228 | 268 |
| SM 2319 196 8 | SM01/8 | 12000M1968001 | 8 | 2319 | 114 | 33.9 | 200 | 23.8 | 545 | 254 | 291 | 128 | 150 | 73 | 50 | 228 | 268 |

M 01 • S 01

2/2

Accessori
Accessories
Accessoires
Zubehören
Accessorios



SUPPORTO CILINDRO CYLINDER SUPPORT
PALIER VERIN LAGER ZYLINDER
SOPORTE CILINDRO



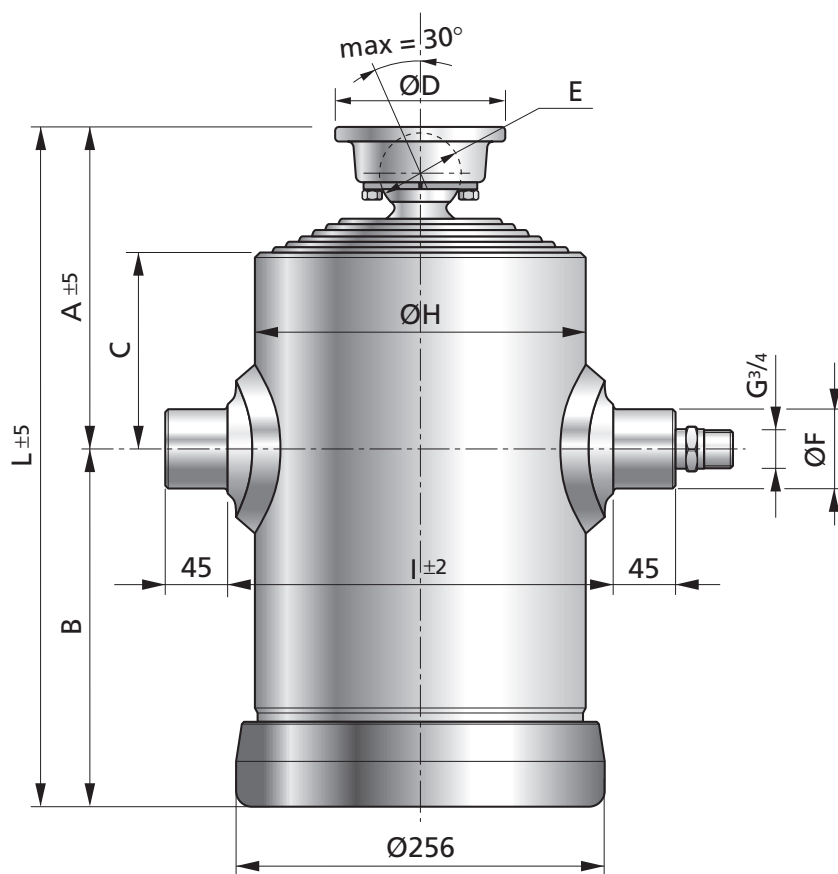
SUPPORTO BILANCIERE CRADLE SUPPORT
BALANCIER VERIN LAGER KIPPHEBEL
SOPORTE CUNA



BILANCIERE CRADLE BALANCIER
KIPPHEBEL CUNA



Vedi pagine 32-33 per dettagli
See pages 32-33 for details
Voyez pages 32-33 pour détails
Sehen Blatten 32-33 für Informationen
Ver hoias 32-33 para informaciones



M 01 • S 01

| TIPO TYPE TYP TIPO | SFILATE EXTENSION EXPANSION STUFENZAHL EXPANSION | DIAMETRO - DIAMETER DIAMÈTRE - DURCHMESSER - DIAMETRO [mm] | | | | | | | | | max SPINTA THRUST POUSSEE KRAFT EMPUJE [kN] |
|-----------------------------|--|--|-----|-----|-----|-----|-----|-----|------|----|---|
| | | I | II | III | IV | V | VI | VII | VIII | IX | |
| M 01 | 8 | 196 | 174 | 154 | 135 | 116 | 98 | 79 | 61 | | 138 |
| | 7 | 196 | 174 | 154 | 135 | 116 | 98 | 79 | | | 167 |
| | 6 | 196 | 174 | 154 | 135 | 116 | 98 | | | | 197 |
| | 5 | 196 | 174 | 154 | 135 | 116 | | | | | 228 |
| S 01 | 9 | 196 | 174 | 154 | 135 | 120 | 105 | 90 | 75 | 60 | 131 |
| | 8 | 196 | 174 | 154 | 135 | 120 | 105 | 90 | 75 | | 154 |
| | 7 | 196 | 174 | 154 | 135 | 120 | 105 | 90 | | | 178 |
| | 6 | 196 | 174 | 154 | 135 | 120 | 105 | | | | 204 |
| | 5 | 196 | 174 | 154 | 135 | 120 | | | | | 231 |

M 01 · S 01 DETAGLI TECNICI TECHNICAL DATA DÉTAIL TECHNIQUES TECHNISCHE DATUM DETALLES TÉCNICOS

| ART. NUOVO NEW MODEL NOUVELLE DESCR. NEUE BEZEICHNUNG DESCRIPCION NUEVA | ART. VECCHIO OLD MODEL ANCIENNE DESCR. ALTE BEZ. DESCR. ANTIGUA | CODICE CODE CODE BESTELL-Nr. CODIGO | N. SFILATE - EXTENSION N. N. DES TRALLONGES STUFENZAHL - N. EXPAISIONES | CORSO - POWER STROKE COURSE DE TRAVAIL GESAMTHUB - CARRERA | MASSA - MASS MASSE - MASSE MASA | OLIO ASSORBITO OIL CONSUMPTION HUILE CONSOMM. ÖLVERBRUCH ACEITE ABSORBIDO | PRESSIONE MAX DI LAVORO MAX. WORKING PRESSURE PRESSION DE TRAVAIL MAX. MAXIMUM BETRIEBSDRUCK PRESSION MAX. DE TRABAJO | MASSA TOTALE - RIBALTABILE TOTAL MASS TIP-UP MASSE TOTALE REBATABLE GESAMTIPPMASSE MASA TOTAL VOLCADA | L | A | B | C | D [mm] | E | F | H | I |
|---|---|---|---|--|---------------------------------------|---|---|---|-----|-----|-----|-----|-----------|----|----|-----|-----|
| | | | | | | | | | | | | | | | | | |
| SM 2024 196 7 | SM01/7 | 12000M1967001 | 7 | 2024 | 112 | 32.6 | 200 | 27.6 | 538 | 247 | 291 | 128 | 150 | 73 | 50 | 228 | 268 |
| SM 1730 196 6 | SM01/6 | 12000M1966001 | 6 | 1730 | 110 | 30.7 | 200 | 31.6 | 531 | 240 | 291 | 128 | 150 | 73 | 50 | 228 | 268 |
| SM 1436 196 5 | SM01/5 | 12000M1965001 | 5 | 1436 | 111 | 28.1 | 200 | 35.8 | 544 | 253 | 291 | 128 | 170 | 92 | 50 | 228 | 268 |
| SB/A 2374 196 9 | SB01/9A | 1200BA1969001 | 9 | 2374 | 116 | 32.7 | 200 | 20.3 | 500 | 254 | 246 | 168 | 150 | 73 | 50 | 228 | 268 |
| SB/A 2133 196 8 | SB01/8A | 1200BA1968001 | 8 | 2133 | 110 | 32.0 | 200 | 23.8 | 500 | 254 | 246 | 168 | 150 | 73 | 50 | 228 | 268 |
| SB/A 1884 196 7 | SB01/7A | 1200BA1967001 | 7 | 1884 | 109 | 30.9 | 200 | 27.6 | 500 | 254 | 246 | 168 | 150 | 73 | 50 | 228 | 268 |
| SB/A 1629 196 6 | SB01/6A | 1200BA1966001 | 6 | 1629 | 107 | 29.3 | 200 | 31.6 | 500 | 254 | 246 | 168 | 150 | 73 | 50 | 228 | 268 |
| SB/A 1367 196 5 | SB01/5A | 1200BA1965001 | 5 | 1367 | 108 | 27.0 | 200 | 35.8 | 520 | 274 | 246 | 168 | 170 | 92 | 50 | 228 | 268 |
| SB 2200 196 9 | SB01/9 | 12000B1969001 | 9 | 2200 | 107 | 30.1 | 200 | 20.3 | 473 | 252 | 221 | 153 | 150 | 73 | 50 | 228 | 268 |
| SB 1971 196 8 | SB01/8 | 12000B1968001 | 8 | 1971 | 102 | 29.4 | 200 | 23.8 | 471 | 250 | 221 | 153 | 150 | 73 | 50 | 228 | 268 |
| SB 1737 196 7 | SB01/7 | 12000B1967001 | 7 | 1737 | 101 | 28.4 | 200 | 27.6 | 469 | 248 | 221 | 153 | 150 | 73 | 50 | 228 | 268 |
| SB 1498 196 6 | SB01/6 | 12000B1966001 | 6 | 1498 | 99 | 26.9 | 200 | 31.6 | 467 | 246 | 221 | 153 | 150 | 73 | 50 | 228 | 268 |
| SB 1256 196 5 | SB01/5 | 12000B1965001 | 5 | 1256 | 101 | 24.8 | 200 | 35.8 | 485 | 264 | 221 | 153 | 170 | 92 | 50 | 228 | 268 |
| SC 1873 196 9 | SC01/9 | 12000C1969001 | 9 | 1873 | 99 | 26.0 | 200 | 20.3 | 430 | 242 | 188 | 153 | 150 | 73 | 50 | 228 | 268 |
| SC 1687 196 8 | SC01/8 | 12000C1968001 | 8 | 1687 | 94 | 25.4 | 200 | 23.8 | 430 | 242 | 188 | 153 | 150 | 73 | 50 | 228 | 268 |
| SC 1494 196 7 | SC01/7 | 12000C1967001 | 7 | 1494 | 93 | 24.6 | 200 | 27.6 | 430 | 242 | 188 | 153 | 150 | 73 | 50 | 228 | 268 |
| SC 1294 196 6 | SC01/6 | 12000C1966001 | 6 | 1294 | 92 | 23.3 | 200 | 31.6 | 430 | 242 | 188 | 153 | 150 | 73 | 50 | 228 | 268 |
| SC 1089 196 5 | SC01/5 | 12000C1965001 | 5 | 1089 | 94 | 21.5 | 200 | 35.8 | 450 | 262 | 188 | 153 | 170 | 92 | 50 | 228 | 268 |
| SCC 1646 196 9 | SCC01/9 | 1200CC1969001 | 9 | 1646 | 91 | 22.6 | 200 | 20.3 | 397 | 202 | 195 | 118 | 150 | 73 | 50 | 228 | 268 |
| SCC 1480 196 8 | SCC01/8 | 1200CC1968001 | 8 | 1480 | 87 | 22.1 | 200 | 23.8 | 397 | 202 | 195 | 118 | 150 | 73 | 50 | 228 | 268 |
| SCC 1307 196 7 | SCC01/7 | 1200CC1967001 | 7 | 1307 | 86 | 21.3 | 200 | 27.6 | 397 | 202 | 195 | 118 | 150 | 73 | 50 | 228 | 268 |
| SCC 1127 196 6 | SCC01/6 | 1200CC1966001 | 6 | 1127 | 86 | 20.2 | 200 | 31.6 | 397 | 202 | 195 | 118 | 150 | 73 | 50 | 228 | 268 |
| SCC 942 196 5 | SCC01/5 | 1200CC1965001 | 5 | 942 | 85 | 18.6 | 200 | 35.8 | 397 | 202 | 195 | 118 | 150 | 73 | 50 | 228 | 268 |

M 02 • S 02

1/2

Accessori
Accessories
Accessoires
Zubehören
Accesorios



SUPPORTO CILINDRO CYLINDER SUPPORT
PALIER VERIN LAGER ZYLINDER
SOPORTE CILINDRO



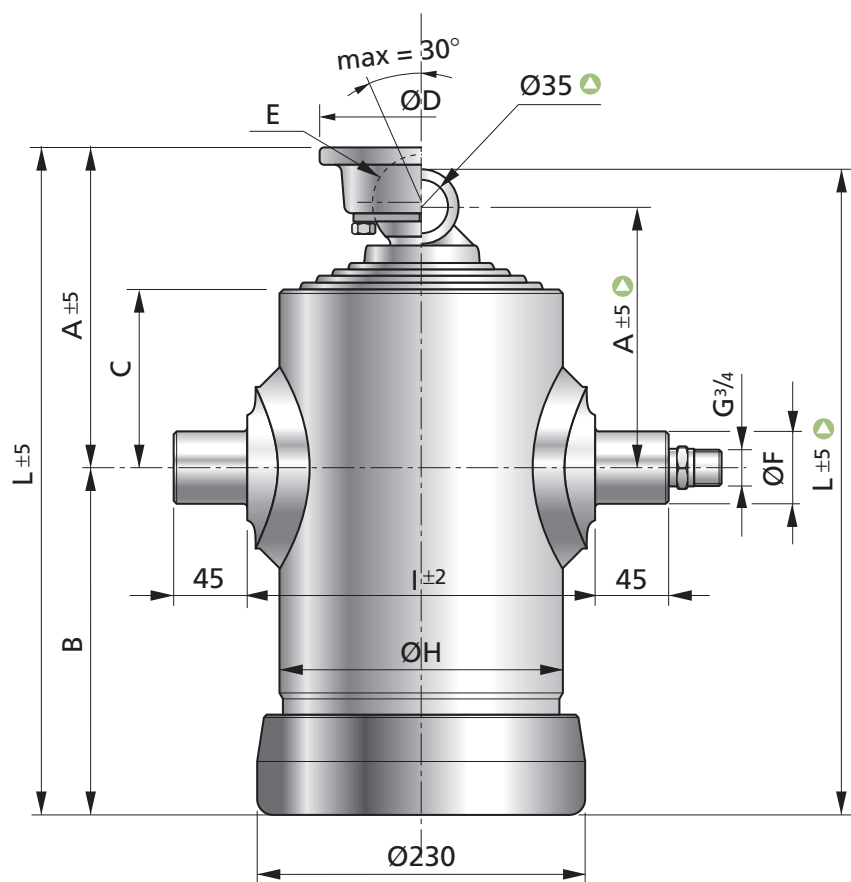
SUPPORTO BILANCIERE CRADLE SUPPORT
BALANCIER VERIN LAGER KIPPHEBEL
SOPORTE CUNA



BILANCIERE CRADLE BALANCIER
KIPPHEBEL CUNA



Vedi pagine 32-33 per dettagli
See pages 32-33 for details
Voyez pages 32-33 pour détails
Sehen Blatten 32-33 für Informationen
Ver hoias 32-33 para informaciones



| M 02 • S 02 | | | | | | | | | | |
|-----------------------------|---|--|-----|-----|-----|-----|----|-----|------|---|
| TIPO TYPE TYP TIPO | SFILATE EXTENSION EXPANSION STUFENZAHL EXPANSION | DIAMETRO - DIAMETER DIAMÈTRE - DURCHMESSER - DIAMETRO [mm] | | | | | | | | max SPINTA THRUST POUSSEÉ KRAFT EMPUJE [kN] |
| | | I | II | III | IV | V | VI | VII | VIII | |
| M 02 | 7 | 174 | 154 | 135 | 116 | 98 | 79 | 61 | | 134 |
| | 6 | 174 | 154 | 135 | 116 | 98 | 79 | | | 163 |
| | 5 | 174 | 154 | 135 | 116 | 98 | | | | 194 |
| | 4 | 174 | 154 | 135 | 116 | | | | | 225 |
| S 02 | 8 | 174 | 154 | 135 | 120 | 105 | 90 | 75 | 60 | 128 |
| | 7 | 174 | 154 | 135 | 120 | 105 | 90 | 75 | | 152 |
| | 6 | 174 | 154 | 135 | 120 | 105 | 90 | | | 176 |
| | 5 | 174 | 154 | 135 | 120 | 105 | | | | 202 |
| | Con sfera Ø58 - With ball Ø58 - Avec boule Ø58 - Kugel Ø58 - Esfera Ø58 | | | | | | | | | |

M 02 • S 02 DETAGLI TECNICI TECHNICAL DATA DÉTAIL TECHNIQUES TECHNISCHE DATUM DETALLES TÉCNICOS

| ART. NUOVO NEW MODEL NOUVELLE DESCR. NEUE BEZEICHNUNG DESCRIPCION NUEVA | ART. VECCHIO OLD MODEL ANCIENNE DESCR. ALTE BEZ. DESCR. ANTIGUA | CODICE CODE CODE BESTELL-Nr. CODIGO | N. SFILATE - EXTENSION N. N. DES RALLONGES - N. EXTENSIONES STUFENZAHL - N. ERWEITERUNGEN | CORSO - POWER STROKE COURSE DE TRAVAIL GESAMTHUB - CARRERA | MASSA - MASS MASSE - MASSE MASA | OLIO ASSORBITO OIL CONSUMPTION HUILE CONSOMM. ÖLVERBRUCH ACEITE ABSORBIDO | PRESSIONE MAX DI LAVORO MAX. WORKING PRESSURE PRESSION DE TRAVAIL MAX. MAXIMUM BETRIEBSDRUCK PRESSION MAX. DE TRABAJO | MASSA TOTALE - RIBALTABILE TOTAL MASS TIP-UP MASSE TOTALE REBATABLE GESAMTIPPMASSE MASA TOTAL VOLCADA | L | A | B | C | D [mm] | E | F | H | I |
|---|---|---|---|--|---------------------------------------|---|---|---|-----|-----|-----|-----|-----------|----|----|-----|-----|
| | | | | | | | | | | | | | | | | | |
| 750 4455 174 7 | M02/750/7 | 1107501747001 | 7 | 4455 | 165 | 52.6 | 200 | 19.5 | 894 | 255 | 639 | 133 | 150 | 73 | 50 | 198 | 238 |
| 750 3818 174 6 | M02/750/6 | 1107501746001 | 6 | 3818 | 155 | 50.7 | 200 | 23.7 | 887 | 248 | 639 | 133 | 150 | 73 | 50 | 198 | 238 |
| 750 3181 174 5 | M02/750/5 | 1107501745001 | 5 | 3181 | 142 | 47.6 | 200 | 28.2 | 880 | 241 | 639 | 133 | 150 | 73 | 50 | 198 | 238 |
| 750 2544 174 4 | M02/750/4 | 1107501744001 | 4 | 2544 | 138 | 42.8 | 200 | 32.8 | 901 | 262 | 639 | 133 | 170 | 92 | 50 | 198 | 238 |
| ▲ 750 4455 174 7 | M02/750/7B | 1107501747003 | 7 | 4455 | 162 | 52.6 | 200 | 19.5 | 910 | 244 | 639 | 133 | | | 50 | 198 | 238 |
| ▲ 750 3818 174 6 | M02/750/6B | 1107501746003 | 6 | 3818 | 152 | 50.7 | 200 | 23.7 | 885 | 218 | 639 | 133 | | | 50 | 198 | 238 |
| 670 3895 174 7 | M02/670/7 | 1106701747001 | 7 | 3895 | 140 | 46.0 | 200 | 19.5 | 814 | 255 | 559 | 133 | 150 | 73 | 50 | 198 | 238 |
| 670 3338 174 6 | M02/670/6 | 1106701746001 | 6 | 3338 | 133 | 44.4 | 200 | 23.7 | 807 | 248 | 559 | 133 | 150 | 73 | 50 | 198 | 238 |
| 670 2781 174 5 | M02/670/5 | 1106701745001 | 5 | 2781 | 129 | 41.6 | 200 | 28.2 | 800 | 241 | 559 | 133 | 150 | 73 | 50 | 198 | 238 |
| ▲ 670 3895 174 7 | M02/670/7B | 1106701747003 | 7 | 3895 | 139 | 46.0 | 200 | 19.5 | 830 | 244 | 559 | 133 | | | 50 | 198 | 238 |
| ▲ 670 3338 174 6 | M02/670/6B | 1106701746003 | 6 | 3338 | 132 | 44.4 | 200 | 23.7 | 805 | 218 | 559 | 133 | | | 50 | 198 | 238 |
| S565 3689 174 8 | S02/565/8 | 1205651748001 | 8 | 3689 | 125 | 41.5 | 200 | 18.7 | 707 | 253 | 454 | 133 | 120 | 58 | 50 | 198 | 238 |
| S565 3225 174 7 | S02/565/7 | 1205651747001 | 7 | 3225 | 117 | 40.2 | 200 | 22.1 | 709 | 255 | 454 | 133 | 150 | 73 | 50 | 198 | 238 |
| S565 2760 174 6 | S02/565/6 | 1205651746001 | 6 | 2760 | 114 | 38.1 | 200 | 25.6 | 702 | 248 | 454 | 133 | 150 | 73 | 50 | 198 | 238 |
| S565 2296 174 5 | S02/565/5 | 1205651745001 | 5 | 2296 | 111 | 35.1 | 200 | 29.4 | 695 | 241 | 454 | 133 | 150 | 73 | 50 | 198 | 238 |
| SL 3129 174 8 | SL02/8 | 12000L1748001 | 8 | 3129 | 112 | 35.1 | 200 | 18.7 | 637 | 238 | 399 | 118 | 120 | 58 | 50 | 198 | 238 |
| SL 2735 174 7 | SL02/7 | 12000L1747001 | 7 | 2735 | 106 | 34.0 | 200 | 22.1 | 639 | 240 | 399 | 118 | 150 | 73 | 50 | 198 | 238 |
| SL 2340 174 6 | SL02/6 | 12000L1746001 | 6 | 2340 | 103 | 32.3 | 200 | 25.6 | 632 | 233 | 399 | 118 | 150 | 73 | 50 | 198 | 238 |
| SL 1946 174 5 | SL02/5 | 12000L1745001 | 5 | 1946 | 100 | 29.8 | 200 | 29.4 | 625 | 226 | 399 | 118 | 150 | 73 | 50 | 198 | 238 |
| S470 2929 174 8 | S02/470/8 | 1204701748001 | 8 | 2929 | 108 | 32.9 | 200 | 18.7 | 612 | 238 | 374 | 118 | 120 | 58 | 50 | 198 | 238 |
| S470 2560 174 7 | S02/470/7 | 1204701747001 | 7 | 2560 | 102 | 31.8 | 200 | 22.1 | 614 | 240 | 374 | 118 | 150 | 73 | 50 | 198 | 238 |
| S470 2190 174 6 | S02/470/6 | 1204701746001 | 6 | 2190 | 99 | 30.2 | 200 | 25.6 | 607 | 233 | 374 | 118 | 150 | 73 | 50 | 198 | 238 |
| S470 1821 174 5 | S02/470/5 | 1204701745001 | 5 | 1821 | 97 | 27.9 | 200 | 29.4 | 600 | 226 | 374 | 118 | 150 | 73 | 50 | 198 | 238 |
| SA 2489 174 8 | SA02/8 | 12000A1748001 | 8 | 2489 | 97 | 27.9 | 200 | 18.7 | 556 | 237 | 319 | 118 | 120 | 58 | 50 | 198 | 238 |
| SA 2175 174 7 | SA02/7 | 12000A1747001 | 7 | 2175 | 92 | 27.0 | 200 | 22.1 | 558 | 239 | 319 | 118 | 150 | 73 | 50 | 198 | 238 |
| SA 1860 174 6 | SA02/6 | 12000A1746001 | 6 | 1860 | 90 | 25.6 | 200 | 25.6 | 551 | 232 | 319 | 118 | 150 | 73 | 50 | 198 | 238 |
| SA 1546 174 5 | SA02/5 | 12000A1745001 | 5 | 1546 | 88 | 23.6 | 200 | 29.4 | 544 | 225 | 319 | 118 | 150 | 73 | 50 | 198 | 238 |
| SM 2329 174 8 | SM02/8 | 12000M1748001 | 8 | 2329 | 94 | 26.1 | 200 | 18.7 | 536 | 252 | 284 | 133 | 120 | 58 | 50 | 198 | 238 |
| SM 2035 174 7 | SM02/7 | 12000M1747001 | 7 | 2035 | 89 | 25.3 | 200 | 22.1 | 538 | 254 | 284 | 133 | 150 | 73 | 50 | 198 | 238 |
| SM 1740 174 6 | SM02/6 | 12000M1746001 | 6 | 1740 | 87 | 24.0 | 200 | 25.6 | 531 | 247 | 284 | 133 | 150 | 73 | 50 | 198 | 238 |

M 02 • S 02

2/2

Accessori
Accessories
Accessoires
Zubehören
Accesorios



SUPPORTO CILINDRO CYLINDER SUPPORT
PALIER VERIN LAGER ZYLINDER
SOPORTE CILINDRO



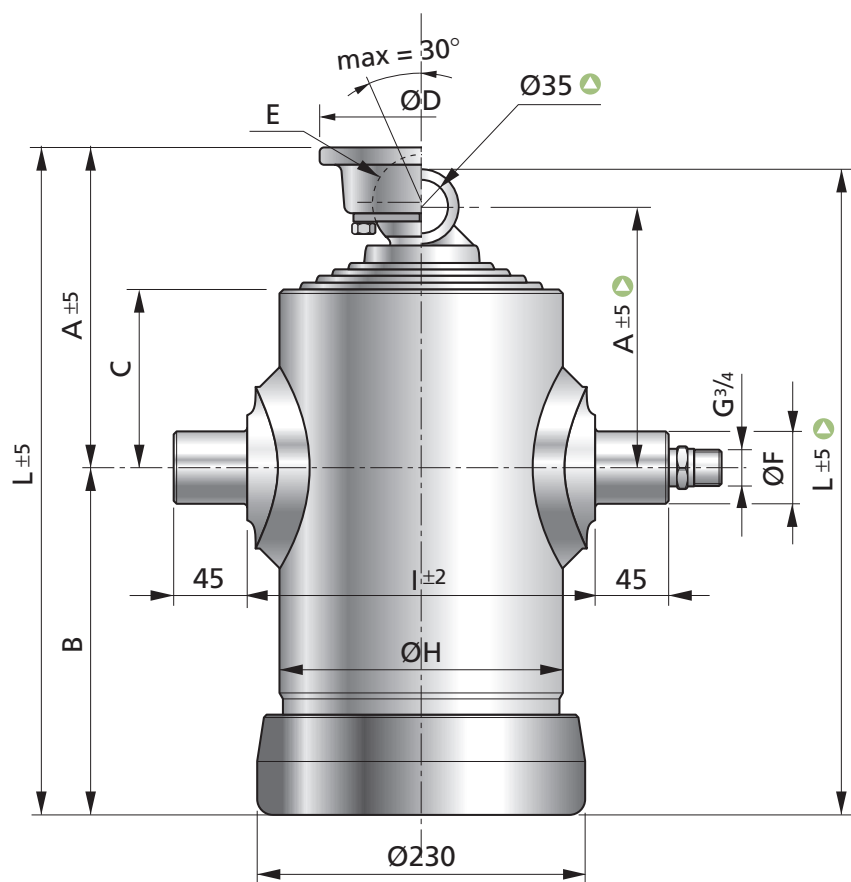
SUPPORTO BILANCIERE CRADLE SUPPORT
BALANCIER VERIN LAGER KIPPHEBEL
SOPORTE CUNA



BILANCIERE CRADLE BALANCIER
KIPPHEBEL CUNA



Vedi pagine 32-33 per dettagli
See pages 32-33 for details
Voyez pages 32-33 pour détails
Sehen Blatten 32-33 für Informationen
Ver hoias 32-33 para informaciones



| M 02 • S 02 | | | | | | | | | | |
|-----------------------------|---|--|-----|-----|-----|-----|----|-----|------|---|
| TIPO TYPE TYP TIPO | SFILATE EXTENSION EXPANSION STUFENZAHL EXPANSION | DIAMETRO - DIAMETER DIAMÈTRE - DURCHMESSER - DIAMETRO [mm] | | | | | | | | max SPINTA THRUST POUSSEÉ KRAFT EMPUJE [kN] |
| | | I | II | III | IV | V | VI | VII | VIII | |
| M 02 | 7 | 174 | 154 | 135 | 116 | 98 | 79 | 61 | | 134 |
| | 6 | 174 | 154 | 135 | 116 | 98 | 79 | | | 163 |
| | 5 | 174 | 154 | 135 | 116 | 98 | | | | 194 |
| | 4 | 174 | 154 | 135 | 116 | | | | | 225 |
| S 02 | 8 | 174 | 154 | 135 | 120 | 105 | 90 | 75 | 60 | 128 |
| | 7 | 174 | 154 | 135 | 120 | 105 | 90 | 75 | | 152 |
| | 6 | 174 | 154 | 135 | 120 | 105 | 90 | | | 176 |
| | 5 | 174 | 154 | 135 | 120 | 105 | | | | 202 |
| | Con sfera Ø58 - With ball Ø58 - Avec boule Ø58 - Kugel Ø58 - Esfera Ø58 | | | | | | | | | |

M 02 · S 02 DETAGLI TECNICI TECHNICAL DATA DÉTAIL TECHNIQUES TECHNISCHE DATUM DETALLES TÉCNICOS

| ART. NUOVO NEW MODEL NOUVELLE DESCR. NEUE BEZEICHNUNG DESCRIPCION NUEVA | ART. VECCHIO OLD MODEL ANCIENNE DESCR. ALTE BEZ. DESCR. ANTIGUA | CODICE CODE CODE BESTELL-Nr. CODIGO | N. SFILATE - EXTENSION IN. N. DES RALLONGES - N. EXTENSIONES STUFENZAHL - N. ERWEITERUNGEN | CORSA - POWER STROKE COURSE DE TRAVAIL GESAMTHUB - CARRERA | MASSA - MASS MASSE - MASSE | OLIO ASSORBITO OIL CONSUMPTION HUILE CONSOMM. ÖLVERBRUCH ACEITE ABSORBIDO | PRESIONE MAX DI LAVORO MAX. WORKING PRESSURE PRESSION DE TRAVAIL MAX. MAXIMUM BETRIEBSDRUCK PRESION MAX. DE TRABAJO | MASSA TOTALE - RIBALTABILE TOTAL MASS TIP-UP MASSE TOTALE REBATABLE GESAMTIPPMASSE MASA TOTAL VOLCADA | L | A | B | C | D [mm] | E | F | H | I |
|---|---|---|--|--|-------------------------------|---|---|---|-----|-----|-----|-----|-----------|----|----|-----|-----|
| SM 1446 174 5 | SM02/5 | 12000M1745001 | 5 | 1446 | 85 | 22.1 | 200 | 29.4 | 524 | 240 | 284 | 133 | 150 | 73 | 50 | 198 | 238 |
| SM 2035 174 7 | SM02/7/58 | 12000M1747003 | 7 | 2035 | 89 | 25.3 | 200 | 22.1 | 529 | 245 | 284 | 133 | 120 | 58 | 50 | 198 | 238 |
| SB/A 2093 174 8 | SB02/8A | 1200BA1748001 | 8 | 2093 | 89 | 24.2 | 200 | 18.7 | 484 | 245 | 239 | 168 | 120 | 58 | 50 | 198 | 238 |
| SB/A 1852 174 7 | SB02/7A | 1200BA1747001 | 7 | 1852 | 86 | 23.5 | 200 | 22.1 | 493 | 254 | 239 | 168 | 150 | 73 | 50 | 198 | 238 |
| SB/A 1603 174 6 | SB02/6A | 1200BA1746001 | 6 | 1603 | 84 | 22.4 | 200 | 25.6 | 493 | 254 | 239 | 168 | 150 | 73 | 50 | 198 | 238 |
| SB/A 1348 174 5 | SB02/5A | 1200BA1745001 | 5 | 1348 | 82 | 20.8 | 200 | 29.4 | 493 | 254 | 239 | 168 | 150 | 73 | 50 | 198 | 238 |
| SB 1942 174 8 | SB02/8 | 12000B1748001 | 8 | 1942 | 82 | 22.3 | 200 | 18.7 | 457 | 243 | 214 | 153 | 120 | 58 | 50 | 198 | 238 |
| SB 1713 174 7 | SB02/7 | 12000B1747001 | 7 | 1713 | 80 | 21.7 | 200 | 22.1 | 464 | 250 | 214 | 153 | 150 | 73 | 50 | 198 | 238 |
| SB 1479 174 6 | SB02/6 | 12000B1746001 | 6 | 1479 | 78 | 20.6 | 200 | 25.6 | 462 | 248 | 214 | 153 | 150 | 73 | 50 | 198 | 238 |
| SB 1240 174 5 | SB02/5 | 12000B1745001 | 5 | 1240 | 77 | 19.1 | 200 | 29.4 | 460 | 246 | 214 | 153 | 150 | 73 | 50 | 198 | 238 |
| SB 1713 174 7 | SB02/7/58 | 12000B1747003 | 7 | 1713 | 80 | 21.7 | 200 | 22.1 | 455 | 241 | 214 | 153 | 120 | 58 | 50 | 198 | 238 |
| SC 1648 174 8 | SC02/8 | 12000C1748001 | 8 | 1648 | 76 | 19.2 | 200 | 18.7 | 414 | 233 | 181 | 153 | 120 | 58 | 50 | 198 | 238 |
| SC 1462 174 7 | SC02/7 | 12000C1747001 | 7 | 1462 | 74 | 18.7 | 200 | 22.1 | 423 | 242 | 181 | 153 | 150 | 73 | 50 | 198 | 238 |
| SC 1269 174 6 | SC02/6 | 12000C1746001 | 6 | 1269 | 73 | 17.8 | 200 | 25.6 | 423 | 242 | 181 | 153 | 150 | 73 | 50 | 198 | 238 |
| SC 1069 174 5 | SC02/5 | 12000C1745001 | 5 | 1069 | 72 | 16.5 | 200 | 29.4 | 423 | 242 | 181 | 153 | 150 | 73 | 50 | 198 | 238 |
| SCC 1454 174 8 | SCC02/8 | 1200CC1748001 | 8 | 1454 | 70 | 16.8 | 200 | 18.7 | 381 | 193 | 188 | 118 | 120 | 58 | 50 | 198 | 238 |
| SCC 1288 174 7 | SCC02/7 | 1200CC1747001 | 7 | 1288 | 69 | 16.3 | 200 | 22.1 | 390 | 202 | 188 | 118 | 150 | 73 | 50 | 198 | 238 |
| SCC 1115 174 6 | SCC02/6 | 1200CC1746001 | 6 | 1115 | 68 | 15.5 | 200 | 25.6 | 390 | 202 | 188 | 118 | 150 | 73 | 50 | 198 | 238 |
| SCC 935 174 5 | SCC02/5 | 1200CC1745001 | 5 | 935 | 67 | 14.4 | 200 | 29.4 | 390 | 202 | 188 | 118 | 150 | 73 | 50 | 198 | 238 |

M 03 • S 03

1/2

Accessori
Accessories
Accessoires
Zubehören
Accesorios



SUPPORTO CILINDRO CYLINDER SUPPORT
PALIER VERIN LAGER ZYLINDER
SOPORTE CILINDRO



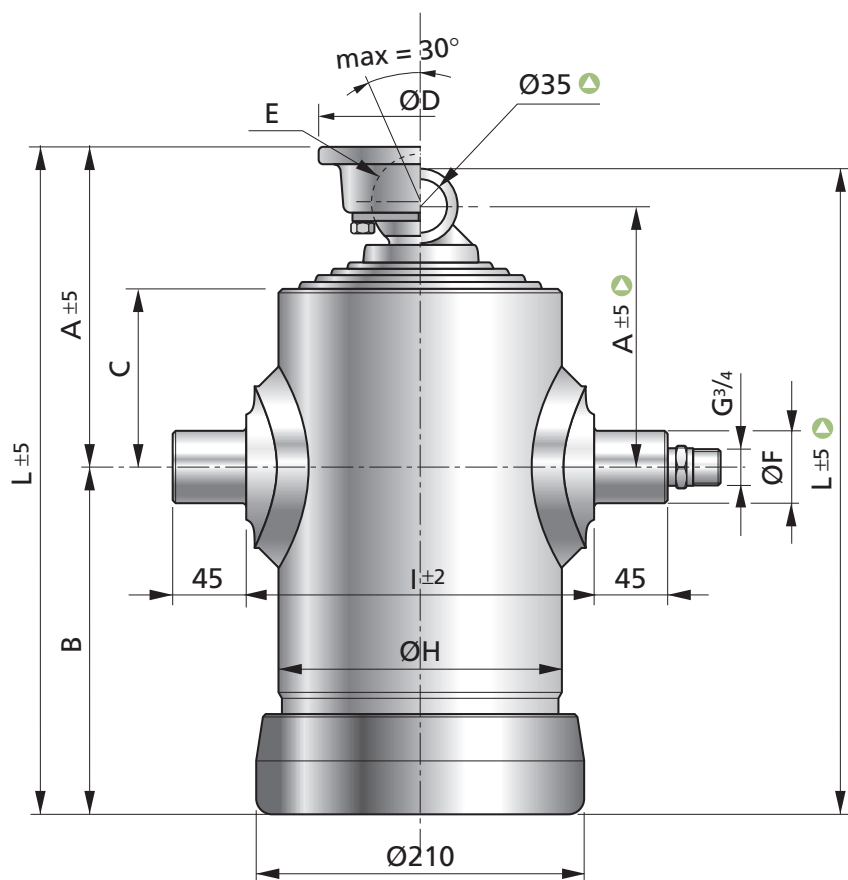
SUPPORTO BILANCIERE CRADLE SUPPORT
BALANCIER VERIN LAGER KIPPHEBEL
SOPORTE CUNA



BILANCIERE CRADLE BALANCIER
KIPPHEBEL CUNA



Vedi pagine 32-33 per dettagli
See pages 32-33 for details
Voyez pages 32-33 pour détails
Sehen Blatten 32-33 für Informationen
Ver hoias 32-33 para informaciones



M 03 • S 03

| TIPO TYPE TYP TIPO | SFILATE EXTENSION EXPANSION STUFENZAHL EXPANSION | DIAMETRO - DIAMETER DIAMÈTRE - DURCHMESSER - DIAMETRO [mm] | | | | | | | | max SPINTA THRUST POUSSEE KRAFT EMPUJE [kN] |
|-----------------------------|---|--|-----|-----|-----|----|----|-----|------|---|
| | | I | II | III | IV | V | VI | VII | VIII | |
| M 03 | 6 | 154 | 135 | 116 | 98 | 79 | 61 | | | 131 |
| | 5 | 154 | 135 | 116 | 98 | 79 | | | | 161 |
| | 4 | 154 | 135 | 116 | 98 | | | | | 193 |
| S 03 | 8 | 154 | 135 | 120 | 105 | 90 | 75 | 60 | 45 | 104 |
| | 7 | 154 | 135 | 120 | 105 | 90 | 75 | 60 | | 128 |
| | 6 | 154 | 135 | 120 | 105 | 90 | 75 | | | 152 |
| | 5 | 154 | 135 | 120 | 105 | 90 | | | | 177 |
| | 4 | 154 | 135 | 120 | 105 | | | | | 203 |
| | Con sfera Ø58 - With ball Ø58 - Avec boule Ø58 - Kugel Ø58 - Esfera Ø58 | | | | | | | | | |

M 03 • S 03 DETAGLI TECNICI TECHNICAL DATA DÉTAIL TECHNIQUES TECHNISCHE DATUM DETALLES TÉCNICOS

| ART. NUOVO NEW MODEL NOUVELLE DESCR. NEUE BEZEICHNUNG DESCRIPCION NUEVA | ART. VECCHIO OLD MODEL ANCIENNE DESCR. ALTE BEZ. DESCR. ANTIGUA | CODICE CODE CODE BESTELL-Nr. CODIGO | N. SFILATE - EXTENSION N. N. DES RALLONGES - N. EXTENSIONES STUFENZAHL - N. ERWEITERUNGEN CORSO - POWER STROKE COURSE DE TRAVAIL GESAMTHUB - CARRERA | [mm] | MASSA - MASS MASSE - MASSE MASA | [kg] | OLIO ASSORBITO OIL CONSUMPTION HUILE CONSOMM. ÖLVERBRUCH ACEITE ABSORBIDO | [dm ³] | PRESSIONE MAX DI LAVORO MAX. WORKING PRESSURE PRESSION DE TRAVAIL MAX. MAXIMUM BETRIEBSDRUCK PRESSION MAX. DE TRABAJO | [bar] | MASSA TOTALE - RIBALTABILE TOTAL MASS TIP-UP MASSE TOTALE REBATABLE GESAMTIPPMASSE MASA TOTAL VOLCADA | [ton] | L | A | B | C | D | E | F | H | I | |
|---|---|---|---|------|---------------------------------------|------|---|--------------------|---|-------|---|-------|------|----|----|-----|-----|---|---|---|---|--|
| | | | | | | | | | | | | | [mm] | | | | | | | | | |
| 750 3818 154 6 | M03/750/6 | 1107501546001 | 6 | 3818 | 130 | 37.5 | 200 | 16.7 | 889 | 234 | 655 | 117 | 150 | 73 | 50 | 177 | 216 | | | | | |
| 750 3181 154 5 | M03/750/5 | 1107501545001 | 5 | 3181 | 120 | 35.6 | 200 | 20.6 | 882 | 227 | 655 | 117 | 150 | 73 | 50 | 177 | 216 | | | | | |
| 750 2544 154 4 | M03/750/4 | 1107501544001 | 4 | 2544 | 110 | 32.5 | 200 | 24.6 | 875 | 220 | 655 | 117 | 150 | 73 | 50 | 177 | 216 | | | | | |
| ▲ 750 3818 154 6 | M03/750/6B | 1107501546003 | 6 | 3818 | 130 | 37.5 | 200 | 16.7 | 905 | 223 | 655 | 117 | | | 50 | 177 | 216 | | | | | |
| ▲ 750 3181 154 5 | M03/750/5B | 1107501545003 | 5 | 3181 | 120 | 35.6 | 200 | 20.6 | 880 | 197 | 655 | 117 | | | 50 | 177 | 216 | | | | | |
| 670 3338 154 6 | M03/670/6 | 1106701546001 | 6 | 3338 | 118 | 32.7 | 200 | 16.7 | 809 | 234 | 575 | 117 | 150 | 73 | 50 | 177 | 216 | | | | | |
| 670 2781 154 5 | M03/670/5 | 1106701545001 | 5 | 2781 | 109 | 31.1 | 200 | 20.6 | 802 | 227 | 575 | 117 | 150 | 73 | 50 | 177 | 216 | | | | | |
| 670 2224 154 4 | M03/670/4 | 1106701544001 | 4 | 2224 | 106 | 28.4 | 200 | 24.6 | 795 | 220 | 575 | 117 | 150 | 73 | 50 | 177 | 216 | | | | | |
| ▲ 670 3338 154 6 | M03/670/6B | 1106701546003 | 6 | 3338 | 118 | 32.7 | 200 | 16.7 | 825 | 223 | 575 | 117 | | | 50 | 177 | 216 | | | | | |
| ▲ 670 2781 154 5 | M03/670/5B | 1106701545003 | 5 | 2781 | 109 | 31.1 | 200 | 20.6 | 800 | 197 | 575 | 117 | | | 50 | 177 | 216 | | | | | |
| S565 3232 154 7 | S03/565/7 | 1205651547001 | 7 | 3232 | 102 | 30.6 | 200 | 16.3 | 702 | 233 | 469 | 118 | 120 | 58 | 50 | 177 | 216 | | | | | |
| S565 2768 154 6 | S03/565/6 | 1205651546001 | 6 | 2768 | 94 | 29.3 | 200 | 19.4 | 704 | 235 | 469 | 118 | 150 | 73 | 50 | 177 | 216 | | | | | |
| S565 2303 154 5 | S03/565/5 | 1205651545001 | 5 | 2303 | 91 | 27.2 | 200 | 22.6 | 697 | 228 | 469 | 118 | 150 | 73 | 50 | 177 | 216 | | | | | |
| S565 1839 154 4 | S03/565/4 | 1205651544001 | 4 | 1839 | 88 | 24.3 | 200 | 25.9 | 690 | 221 | 469 | 118 | 150 | 73 | 50 | 177 | 216 | | | | | |
| SL 2742 154 7 | SL03/7 | 12000L1547001 | 7 | 2742 | 101 | 25.9 | 200 | 16.3 | 632 | 233 | 399 | 118 | 120 | 58 | 50 | 177 | 216 | | | | | |
| SL 2348 154 6 | SL03/6 | 12000L1546001 | 6 | 2348 | 85 | 24.8 | 200 | 19.4 | 634 | 235 | 399 | 118 | 150 | 73 | 50 | 177 | 216 | | | | | |
| SL 1953 154 5 | SL03/5 | 12000L1545001 | 5 | 1953 | 82 | 23.1 | 200 | 22.6 | 627 | 228 | 399 | 118 | 150 | 73 | 50 | 177 | 216 | | | | | |
| SL 1559 154 4 | SL03/4 | 12000L1544001 | 4 | 1559 | 80 | 20.6 | 200 | 25.9 | 620 | 221 | 399 | 118 | 150 | 73 | 50 | 177 | 216 | | | | | |
| S470 2567 154 7 | S03/470/7 | 1204701547001 | 7 | 2567 | 88 | 24.3 | 200 | 16.3 | 607 | 233 | 374 | 118 | 120 | 58 | 50 | 177 | 216 | | | | | |
| S470 2198 154 6 | S03/470/6 | 1204701546001 | 6 | 2198 | 82 | 23.2 | 200 | 19.4 | 609 | 235 | 374 | 118 | 150 | 73 | 50 | 177 | 216 | | | | | |
| S470 1828 154 5 | S03/470/5 | 1204701545001 | 5 | 1828 | 79 | 21.6 | 200 | 22.6 | 602 | 228 | 374 | 118 | 150 | 73 | 50 | 177 | 216 | | | | | |
| S470 1459 154 4 | S03/470/4 | 1204701544001 | 4 | 1459 | 77 | 19.3 | 200 | 25.9 | 595 | 221 | 374 | 118 | 150 | 73 | 50 | 177 | 216 | | | | | |
| SA 2182 154 7 | SA03/7 | 12000A1547001 | 7 | 2182 | 80 | 20.6 | 200 | 16.3 | 551 | 232 | 319 | 118 | 120 | 58 | 50 | 177 | 216 | | | | | |
| SA 1868 154 6 | SA03/6 | 12000A1546001 | 6 | 1868 | 75 | 19.7 | 200 | 19.4 | 553 | 234 | 319 | 118 | 150 | 73 | 50 | 177 | 216 | | | | | |
| SA 1553 154 5 | SA03/5 | 12000A1545001 | 5 | 1553 | 73 | 18.3 | 200 | 22.6 | 546 | 227 | 319 | 118 | 150 | 73 | 50 | 177 | 216 | | | | | |
| SA 1239 154 4 | SA03/4 | 12000A1544001 | 4 | 1239 | 71 | 16.3 | 200 | 25.9 | 539 | 220 | 319 | 118 | 150 | 73 | 50 | 177 | 216 | | | | | |
| SM 2042 154 7 | SM03/7 | 12000M1547001 | 7 | 2042 | 77 | 19.3 | 200 | 16.3 | 531 | 252 | 279 | 138 | 120 | 58 | 50 | 177 | 216 | | | | | |
| SM 1748 154 6 | SM03/6 | 12000M1546001 | 6 | 1748 | 72 | 18.5 | 200 | 19.4 | 533 | 254 | 279 | 138 | 150 | 73 | 50 | 177 | 216 | | | | | |
| SM 1453 154 5 | SM03/5 | 12000M1545001 | 5 | 1453 | 70 | 17.2 | 200 | 22.6 | 526 | 247 | 279 | 138 | 150 | 73 | 50 | 177 | 216 | | | | | |
| SM 1159 154 4 | SM03/4 | 12000M1544001 | 4 | 1159 | 68 | 15.3 | 200 | 25.9 | 519 | 240 | 279 | 138 | 150 | 73 | 50 | 177 | 216 | | | | | |

M 03 • S 03

2/2

Accessori
Accessories
Accessoires
Zubehören
Accessorios



SUPPORTO CILINDRO CYLINDER SUPPORT
PALIER VERIN LAGER ZYLINDER
SOPORTE CILINDRO



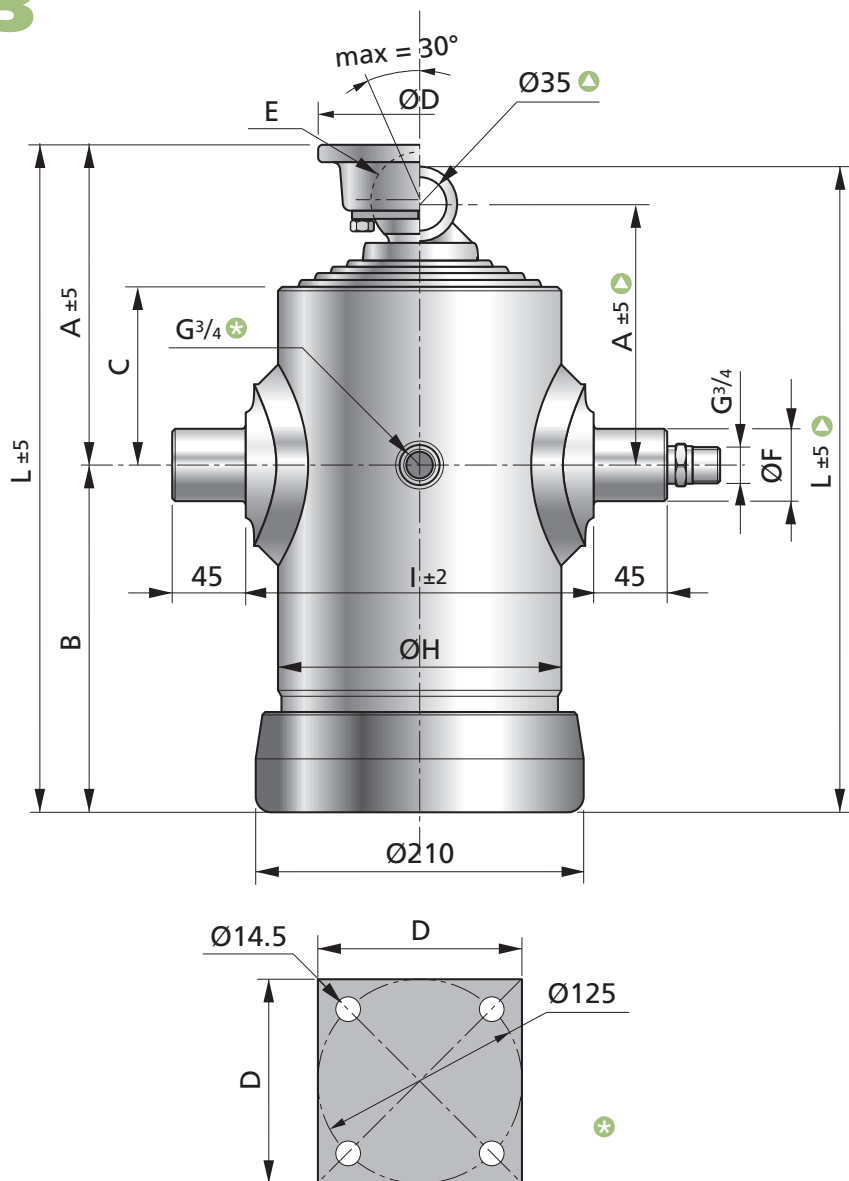
SUPPORTO BILANCIERE CRADLE SUPPORT
BALANCIER VERIN LAGER KIPPHEBEL
SOPORTE CUNA



BILANCIERE CRADLE BALANCIER
KIPPHEBEL CUNA



Vedi pagine 32-33 per dettagli
See pages 32-33 for details
Voyez pages 32-33 pour détails
Sehen Blatten 32-33 für Informationen
Ver hoias 32-33 para informaciones



| M 03 • S 03 | | DIAMETRO - DIAMETER DIAMÈTRE - DURCHMESSER - DIAMETRO [mm] | | | | | | | | max |
|-----------------------------|---|--|-----|-----|-----|----|----|-----|------|--|
| TIPO TYPE TYP TIPO | SFILATE EXTENSION EXPANSION STUFENZAHL EXPANSION | I | II | III | IV | V | VI | VII | VIII | SPINTA THRUST POUSSEE KRAFT EMPUJE [kN] |
| M 03 | 6 | 154 | 135 | 116 | 98 | 79 | 61 | | | 131 |
| | 5 | 154 | 135 | 116 | 98 | 79 | | | | 161 |
| | 4 | 154 | 135 | 116 | 98 | | | | | 193 |
| S 03 | 8 | 154 | 135 | 120 | 105 | 90 | 75 | 60 | 45 | 104 |
| | 7 | 154 | 135 | 120 | 105 | 90 | 75 | 60 | | 128 |
| | 6 | 154 | 135 | 120 | 105 | 90 | 75 | | | 152 |
| | 5 | 154 | 135 | 120 | 105 | 90 | | | | 177 |
| | 4 | 154 | 135 | 120 | 105 | | | | | 203 |
| | Con sfera Ø58 - With ball Ø58 - Avec boule Ø58 - Kugel Ø58 - Esfera Ø58 | | | | | | | | | |

M 03 · S 03 DETAGLI TECNICI TECHNICAL DATA DÉTAIL TECHNIQUES TECHNISCHE DATUM DETALLES TÉCNICOS

| ART. NUOVO NEW MODEL NOUVELLE DESCR. NEUE BEZEICHNUNG DESCRIPCION NUEVA | ART. VECCHIO OLD MODEL ANCIENNE DESCR. ALTE BEZ. DESCR. ANTIGUA | CODICE CODE CODE BESTELL-Nr. CODIGO | N. SFILATE - EXTENSION N. N. DES TRALLONGES - N. EXPAISIONES STUFENZAHL - N. EXPAISIONES | CORSO - POWER STROKE COURSE DE TRAVAIL GESAMTHUB - CARRERA | MASSA - MASS MASSE - MASSE MASA | OLIO ASSORBITO OIL CONSUMPTION HUILE CONSOMM. ÖLVERBRUCH ACEITE ABSORBIDO | PRESSIONE MAX DI LAVORO MAX. WORKING PRESSURE PRESSION DE TRAVAIL MAX. MAXIMUM BETRIEBSDRUCK PRESSION MAX. DE TRABAJO | MASSA TOTALE - RIBALTABILE TOTAL MASS TIP-UP MASSE TOTALE REBATABLE GESAMTIPPMASSE MASA TOTAL VOLCADA | L | A | B | C | D [mm] | E | F | H | I |
|---|---|---|--|--|---------------------------------------|---|---|---|-----|-----|-----|-----|-----------|----|----|-----|-----|
| | | | | | | | | | | | | | | | | | |
| SM 1748 154 6 | SM03/6/58 | 12000M1546003 | 6 | 1748 | 71 | 18.5 | 200 | 19.4 | 524 | 245 | 279 | 138 | 120 | 58 | 50 | 177 | 216 |
| SM 1453 154 5 | SM03/5/58 | 12000M1545003 | 5 | 1453 | 69 | 17.2 | 200 | 22.6 | 517 | 238 | 279 | 138 | 120 | 58 | 50 | 177 | 216 |
| SM 1159 154 4 | SM03/4/58 | 12000M1544003 | 4 | 1159 | 67 | 15.3 | 200 | 25.9 | 510 | 231 | 279 | 138 | 120 | 58 | 50 | 177 | 216 |
| SB/A 1814 154 7 | SB03/7A | 1200BA1547001 | 7 | 1814 | 72 | 17.6 | 200 | 16.3 | 479 | 215 | 264 | 138 | 120 | 58 | 50 | 177 | 216 |
| SB/A 1573 154 6 | SB03/6A | 1200BA1546001 | 6 | 1573 | 69 | 16.9 | 200 | 19.4 | 488 | 224 | 264 | 138 | 150 | 73 | 50 | 177 | 216 |
| SB/A 1324 154 5 | SB03/5A | 1200BA1545001 | 5 | 1324 | 67 | 15.8 | 200 | 22.6 | 488 | 224 | 264 | 138 | 150 | 73 | 50 | 177 | 216 |
| SB/A 1069 154 4 | SB03/4A | 1200BA1544001 | 4 | 1069 | 66 | 14.2 | 200 | 25.9 | 488 | 224 | 264 | 138 | 150 | 73 | 50 | 177 | 216 |
| SB 1684 154 7 | SB03/7 | 12000B1547001 | 7 | 1684 | 67 | 16.2 | 200 | 16.3 | 452 | 243 | 209 | 153 | 120 | 58 | 50 | 177 | 216 |
| SB 1455 154 6 | SB03/6 | 12000B1546001 | 6 | 1455 | 64 | 15.6 | 200 | 19.4 | 459 | 250 | 209 | 153 | 150 | 73 | 50 | 177 | 216 |
| SB 1221 154 5 | SB03/5 | 12000B1545001 | 5 | 1221 | 63 | 14.5 | 200 | 22.6 | 457 | 248 | 209 | 153 | 150 | 73 | 50 | 177 | 216 |
| SB 982 154 4 | SB03/4 | 12000B1544001 | 4 | 982 | 62 | 13.0 | 200 | 25.9 | 455 | 246 | 209 | 153 | 150 | 73 | 50 | 177 | 216 |
| SB 1455 154 6 | SB03/6/58 | 12000B1546003 | 6 | 1455 | 64 | 15.6 | 200 | 22.6 | 450 | 241 | 209 | 153 | 120 | 58 | 50 | 177 | 216 |
| SC 1423 154 7 | SC03/7 | 12000C1547001 | 7 | 1423 | 62 | 13.9 | 200 | 16.3 | 409 | 233 | 176 | 153 | 120 | 58 | 50 | 177 | 216 |
| SC 1237 154 6 | SC03/6 | 12000C1546001 | 6 | 1237 | 60 | 13.3 | 200 | 19.4 | 418 | 242 | 176 | 153 | 150 | 73 | 50 | 177 | 216 |
| SC 1044 154 5 | SC03/5 | 12000C1545001 | 5 | 1044 | 59 | 12.5 | 200 | 22.6 | 418 | 242 | 176 | 153 | 150 | 73 | 50 | 177 | 216 |
| SC 844 154 4 | SC03/4 | 12000C1544001 | 4 | 844 | 58 | 11.2 | 200 | 25.9 | 418 | 242 | 176 | 153 | 150 | 73 | 50 | 177 | 216 |
| SCC 1262 154 7 | SCC03/7 | 1200CC1547001 | 7 | 1262 | 58 | 12.2 | 200 | 16.3 | 376 | 193 | 183 | 118 | 120 | 58 | 50 | 177 | 216 |
| SCC 1096 154 6 | SCC03/6 | 1200CC1546001 | 6 | 1096 | 56 | 11.7 | 200 | 19.4 | 385 | 202 | 183 | 118 | 150 | 73 | 50 | 177 | 216 |
| SCC 923 154 5 | SCC03/5 | 1200CC1545001 | 5 | 923 | 55 | 11.0 | 200 | 22.6 | 385 | 202 | 183 | 118 | 150 | 73 | 50 | 177 | 216 |
| SCC 743 154 4 | SCC03/4 | 1200CC1544001 | 4 | 743 | 54 | 9.8 | 200 | 25.9 | 385 | 202 | 183 | 118 | 150 | 73 | 50 | 177 | 216 |
| SV 1059 154 7 | SV03/7 | 12000V1547001 | 7 | 1059 | 52 | 10.3 | 200 | 16.3 | 344 | 190 | 154 | 118 | 120 | 58 | 50 | 177 | 216 |
| SV 922 154 6 | SV03/6 | 12000V1546001 | 6 | 922 | 47 | 9.9 | 200 | 19.4 | 344 | 190 | 154 | 118 | 120 | 58 | 50 | 177 | 216 |
| * S205 984 154 8 | S03/205/8 | 1202051548001 | 8 | 984 | 39 | 8.8 | 200 | 13.3 | 279 | 165 | 114 | 110 | 120 | 43 | 50 | 177 | 216 |
| * S205 881 154 7 | S03/205/7 | 1202051547001 | 7 | 881 | 40 | 8.6 | 200 | 16.3 | 279 | 165 | 114 | 110 | 120 | 43 | 50 | 177 | 216 |

M 04 • S 04

1/2

Accessori
Accessories
Accessoires
Zubehören
Accesorios



SUPPORTO CILINDRO CYLINDER SUPPORT
PALIER VERIN LAGER ZYLINDER
SOPORTE CILINDRO



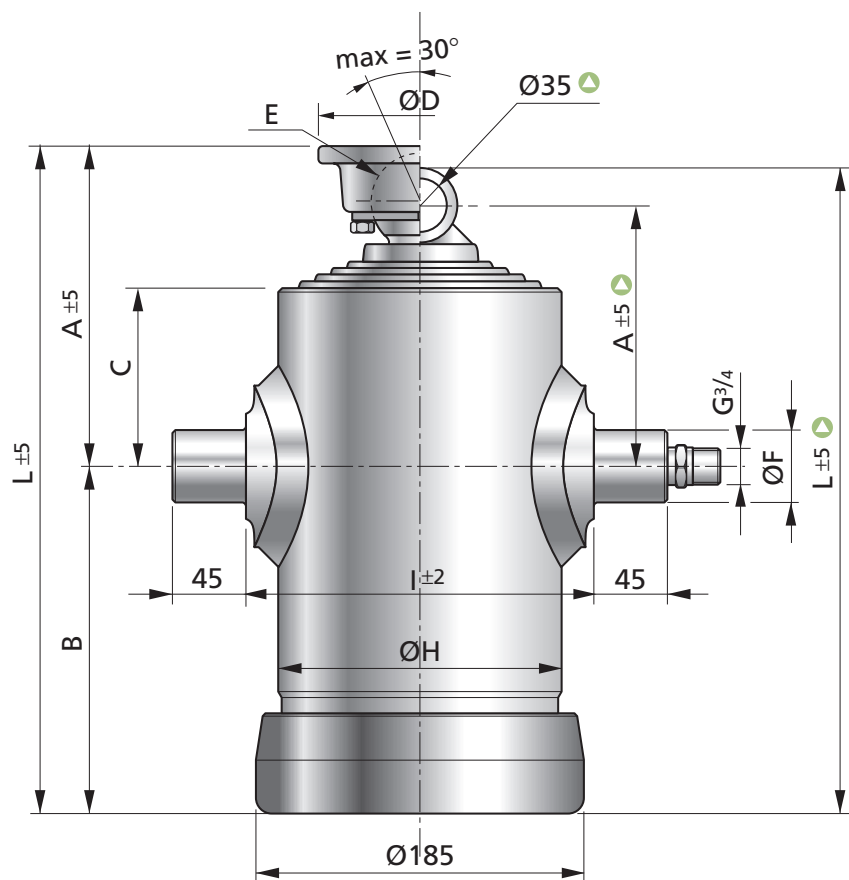
SUPPORTO BILANCIERE CRADLE SUPPORT
BALANCIER VERIN LAGER KIPPHEBEL
SOPORTE CUNA



BILANCIERE CRADLE BALANCIER
KIPPHEBEL CUNA



Vedi pagine 32-33 per dettagli
See pages 32-33 for details
Voyez pages 32-33 pour détails
Sehen Blatten 32-33 für Informationen
Ver hoias 32-33 para informaciones



M 04 • S 04

| TIPO TYPE TYP TIPO | SFILATE EXTENSION EXPANSION STUFENZAHL EXPANSION | DIAMETRO - DIAMETER DIAMÈTRE - DURCHMESSER - DIAMETRO [mm] | | | | | | | max SPINTA THRUST POUSSEE KRAFT EMPUJE [kN] |
|-----------------------------|--|--|-----|-----|----|----|----|-----|---|
| | | I | II | III | IV | V | VI | VII | |
| M 04 | 5 | 135 | 116 | 98 | 79 | 61 | | | 111 |
| | 4 | 135 | 116 | 98 | 79 | | | | 138 |
| | 3 | 135 | 116 | 98 | | | | | 167 |
| S 04 | 7 | 135 | 120 | 105 | 90 | 75 | 60 | 45 | 89 |
| | 6 | 135 | 120 | 105 | 90 | 75 | 60 | | 111 |
| | 5 | 135 | 120 | 105 | 90 | 75 | | | 133 |
| | 4 | 135 | 120 | 105 | 90 | | | | 155 |

M 04 • S 04 DETTAGLI TECNICI TECHNICAL DATA DÉTAIL TECHNIQUES TECHNISCHE DATUM DETALLES TÉCNICOS

| ART. NUOVO NEW MODEL NOUVELLE DESCR. NEUE BEZEICHNUNG DESCRIPCION NUEVA | ART. VECCHIO OLD MODEL ANCIENNE DESCR. ALTE BEZ. DESCR. ANTIGUA | CODICE CODE CODE BESTELL-Nr. CODIGO | N. SFILATE - EXTENSION N. N. DES TRALLAGES - N. EXTENSIONES STUFENZAHL - N. EXTENSIONES | CORSA - POWER STROKE COURSE DE TRAVAIL GESAMTHUB - CARRERA | MASSA - MASS MASSE - MASSE MASA | OLIO ASSORBITO OIL CONSUMPTION HUILE CONSOMM. ÖLVERBRUCH ACEITE ABSORBIDO | PRESIONE MAX DI LAVORO MAX. WORKING PRESSURE PRESSION DE TRAVAIL MAX. MAXIMUM BETRIEBSDRUCK PRESSION MAX. DE TRABAJO | MASSA TOTALE - RIBALTABILE TOTAL MASS TIP-UP MASSE TOTALE REBATABLE GESAMTIPPMASSE MASA TOTAL VOLCADA | L | A | B | C | D [mm] | E | F | H | I |
|---|---|---|---|--|---------------------------------------|---|--|---|-----|-----|-----|-----|-----------|----|----|-----|-----|
| 750 3183 135 5 | M04/750/5 | 1107501355001 | 5 | 3183 | 106 | 25.6 | 200 | 14.2 | 880 | 227 | 653 | 117 | 150 | 73 | 50 | 157 | 192 |
| 750 2546 135 4 | M04/750/4 | 1107501354001 | 4 | 2546 | 94 | 23.8 | 200 | 17.6 | 873 | 220 | 653 | 117 | 150 | 73 | 50 | 157 | 192 |
| 750 1909 135 3 | M04/750/3 | 1107501353001 | 3 | 1909 | 85 | 20.6 | 200 | 21.3 | 866 | 213 | 653 | 117 | 150 | 73 | 50 | 157 | 192 |
| ▲ 750 3183 135 5 | M04/750/5B | 1107501355003 | 5 | 3183 | 106 | 25.6 | 200 | 14.2 | 896 | 216 | 653 | 117 | | | 50 | 157 | 192 |
| ▲ 750 2546 135 4 | M04/750/4B | 1107501354003 | 4 | 2546 | 94 | 23.8 | 200 | 17.6 | 871 | 190 | 653 | 117 | | | 50 | 157 | 192 |
| 670 2783 135 5 | M04/670/5 | 1106701355001 | 5 | 2783 | 95 | 22.4 | 200 | 14.2 | 800 | 227 | 573 | 117 | 150 | 73 | 50 | 157 | 192 |
| 670 2226 135 4 | M04/670/4 | 1106701354001 | 4 | 2226 | 86 | 20.8 | 200 | 17.6 | 793 | 220 | 573 | 117 | 150 | 73 | 50 | 157 | 192 |
| ▲ 670 2783 135 5 | M04/670/5B | 1106701355003 | 5 | 2783 | 95 | 22.4 | 200 | 14.2 | 816 | 216 | 573 | 117 | | | 50 | 157 | 192 |
| ▲ 670 2226 135 4 | M04/670/4B | 1106701354003 | 4 | 2226 | 86 | 20.8 | 200 | 17.6 | 791 | 190 | 573 | 117 | | | 50 | 157 | 192 |
| S565 2777 135 6 | S04/565/6 | 1205651356001 | 6 | 2777 | 81 | 22.1 | 200 | 14.1 | 693 | 226 | 467 | 118 | 120 | 58 | 50 | 157 | 192 |
| S565 2313 135 5 | S04/565/5 | 1205651355001 | 5 | 2313 | 73 | 20.8 | 200 | 16.9 | 695 | 228 | 467 | 118 | 150 | 73 | 50 | 157 | 192 |
| S565 1848 135 4 | S04/565/4 | 1205651354001 | 4 | 1848 | 70 | 18.8 | 200 | 19.8 | 688 | 221 | 467 | 118 | 150 | 73 | 50 | 157 | 192 |
| SL 2357 135 6 | SL04/6 | 12000L1356001 | 6 | 2357 | 73 | 18.8 | 200 | 14.1 | 623 | 226 | 397 | 118 | 120 | 58 | 50 | 157 | 192 |
| SL 1963 135 5 | SL04/5 | 12000L1355001 | 5 | 1963 | 67 | 17.6 | 200 | 16.9 | 625 | 228 | 397 | 118 | 150 | 73 | 50 | 157 | 192 |
| SL 1568 135 4 | SL04/4 | 12000L1354001 | 4 | 1568 | 64 | 15.9 | 200 | 19.8 | 618 | 221 | 397 | 118 | 150 | 73 | 50 | 157 | 192 |
| S470 2207 135 6 | S04/470/6 | 1204701356001 | 6 | 2207 | 70 | 17.6 | 200 | 14.1 | 598 | 226 | 372 | 118 | 120 | 58 | 50 | 157 | 192 |
| S470 1838 135 5 | S04/470/5 | 1204701355001 | 5 | 1838 | 64 | 16.5 | 200 | 16.9 | 600 | 228 | 372 | 118 | 150 | 73 | 50 | 157 | 192 |
| S470 1468 135 4 | S04/470/4 | 1204701354001 | 4 | 1468 | 62 | 14.9 | 200 | 19.8 | 593 | 221 | 372 | 118 | 150 | 73 | 50 | 157 | 192 |
| SA 1877 135 6 | SA04/6 | 12000A1356001 | 6 | 1877 | 64 | 14.9 | 200 | 14.1 | 542 | 225 | 317 | 118 | 120 | 58 | 50 | 157 | 192 |
| SA 1563 135 5 | SA04/5 | 12000A1355001 | 5 | 1563 | 59 | 14.0 | 200 | 16.9 | 544 | 227 | 317 | 118 | 150 | 73 | 50 | 157 | 192 |
| SA 1248 135 4 | SA04/4 | 12000A1354001 | 4 | 1248 | 57 | 12.7 | 200 | 19.8 | 537 | 220 | 317 | 118 | 150 | 73 | 50 | 157 | 192 |
| SM 1757 135 6 | SM04/6 | 12000M1356001 | 6 | 1757 | 62 | 14.0 | 200 | 14.1 | 522 | 250 | 272 | 143 | 120 | 58 | 50 | 157 | 192 |
| SM 1463 135 5 | SM04/5 | 12000M1355001 | 5 | 1463 | 57 | 13.1 | 200 | 16.9 | 524 | 252 | 272 | 143 | 150 | 73 | 50 | 157 | 192 |
| SM 1168 135 4 | SM04/4 | 12000M1354001 | 4 | 1168 | 55 | 11.8 | 200 | 19.8 | 517 | 245 | 272 | 143 | 150 | 73 | 50 | 157 | 192 |
| SM 1463 135 5 | SM04/5/58 | 12000M1355003 | 5 | 1463 | 56 | 13.1 | 200 | 16.9 | 515 | 243 | 272 | 143 | 120 | 58 | 50 | 157 | 192 |
| SM 1168 135 4 | SM04/4/58 | 12000M1354003 | 4 | 1168 | 54 | 11.8 | 200 | 19.8 | 508 | 236 | 272 | 143 | 120 | 58 | 50 | 157 | 192 |
| SB/A 1542 135 6 | SB04/6A | 1200BA1356001 | 6 | 1542 | 58 | 12.5 | 200 | 14.1 | 470 | 218 | 252 | 143 | 120 | 58 | 50 | 157 | 192 |
| SB/A 1301 135 5 | SB04/5A | 1200BA1355001 | 5 | 1301 | 54 | 11.8 | 200 | 16.9 | 479 | 227 | 252 | 143 | 150 | 73 | 50 | 157 | 192 |
| SB/A 1052 135 4 | SB04/4A | 1200BA1354001 | 4 | 1052 | 53 | 10.7 | 200 | 19.8 | 479 | 227 | 252 | 143 | 150 | 73 | 50 | 157 | 192 |
| SB 1433 135 6 | SB04/6 | 12000B1356001 | 6 | 1433 | 54 | 11.6 | 200 | 14.1 | 443 | 233 | 210 | 143 | 120 | 58 | 50 | 157 | 192 |

M 04 • S 04

2/2

Accessori
Accessories
Accessoires
Zubehören
Accesorios



SUPPORTO CILINDRO CYLINDER SUPPORT
PALIER VERIN LAGER ZYLINDER
SOPORTE CILINDRO



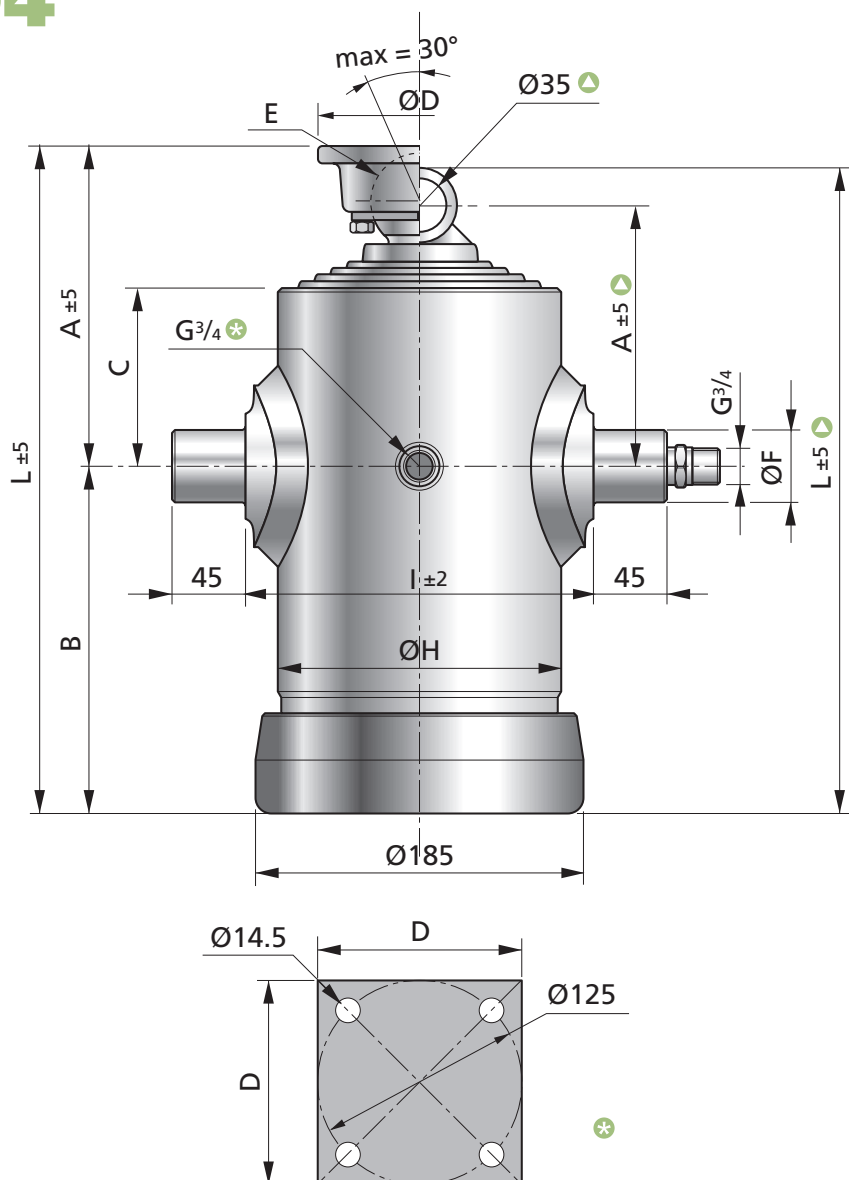
SUPPORTO BILANCIERE CRADLE SUPPORT
BALANCIER VERIN LAGER KIPPHEBEL
SOPORTE CUNA



BILANCIERE CRADLE BALANCIER
KIPPHEBEL CUNA



Vedi pagine 32-33 per dettagli
See pages 32-33 for details
Voyez pages 32-33 pour détails
Sehen Blatten 32-33 für Informationen
Ver hoias 32-33 para informaciones



M 04 • S 04

| TIPO TYPE TYP TIPO | SFILATE EXTENSION EXPANSION STUFENZAHL EXPANSION | DIAMETRO - DIAMETER DIAMÈTRE - DURCHMESSER - DIAMETRO [mm] | | | | | | | max SPINTA THRUST POUSSEE KRAFT EMPUJE [kN] |
|-----------------------------|--|--|-----|-----|----|----|----|-----|---|
| | | I | II | III | IV | V | VI | VII | |
| M 04 | 5 | 135 | 116 | 98 | 79 | 61 | | | 111 |
| | 4 | 135 | 116 | 98 | 79 | | | | 138 |
| | 3 | 135 | 116 | 98 | | | | | 167 |
| S 04 | 7 | 135 | 120 | 105 | 90 | 75 | 60 | 45 | 89 |
| | 6 | 135 | 120 | 105 | 90 | 75 | 60 | | 111 |
| | 5 | 135 | 120 | 105 | 90 | 75 | | | 133 |
| | 4 | 135 | 120 | 105 | 90 | | | | 155 |

M 04 • S 04 DETAGLI TECNICI TECHNICAL DATA DÉTAIL TECHNIQUES TECHNISCHE DATUM DETALLES TÉCNICOS

| ART. NUOVO NEW MODEL NOUVELLE DESCR. NEUE BEZEICHNUNG DESCRIPCION NUEVA | ART. VECCHIO OLD MODEL ANCIENNE DESCR. ALTE BEZ. DESCR. ANTIGUA | CODICE CODE CODE BESTELL-Nr. CODIGO | N. SFILATE - EXTENSION N. N. DES TRALLONGES - N. EXPANSIONES STUFENZAHL - N. EXPANSIONES | CORSA - POWER STROKE COURSE DE TRAVAIL GESAMTHUB - CARRERA | MASSA - MASS MASSE - MASSE MASA | OLIO ASSORBITO OIL CONSUMPTION HUILE CONSOMM. ÖLVERBRUCH ACEITE ABSORBIDO | PRESIONE MAX DI LAVORO MAX. WORKING PRESSURE PRESSION DE TRAVAIL MAX. MAXIMUM BETRIEBSDRUCK PRESSION MAX. DE TRABAJO | MASSA TOTALE RIBALTABILE TOTAL MASS TIP-UP MASSE TOTALE REBATABLE GESAMTIPPMASSE MASA TOTAL VOLCADA | L | A | B | C | D [mm] | E | F | H | I |
|---|---|---|--|--|---------------------------------------|---|--|---|-----|-----|-----|-----|-----------|----|----|-----|-----|
| SB 1204 135 5 | SB04/5 | 12000B1355001 | 5 | 1204 | 51 | 10.9 | 200 | 16.9 | 450 | 240 | 210 | 143 | 150 | 73 | 50 | 157 | 192 |
| SB 970 135 4 | SB04/4 | 12000B1354001 | 4 | 970 | 50 | 9.9 | 200 | 19.8 | 448 | 238 | 210 | 143 | 150 | 73 | 50 | 157 | 192 |
| SB 1204 135 5 | SB04/5/58 | 12000B1355003 | 5 | 1204 | 50 | 10.9 | 200 | 16.9 | 441 | 231 | 210 | 143 | 120 | 58 | 50 | 157 | 192 |
| SB 970 135 4 | SB04/4/58 | 12000B1354003 | 4 | 970 | 49 | 9.9 | 200 | 19.8 | 439 | 229 | 210 | 143 | 120 | 58 | 50 | 157 | 192 |
| SC 1203 135 6 | SC04/6 | 12000C1356001 | 6 | 1203 | 49 | 9.8 | 200 | 14.1 | 400 | 233 | 167 | 153 | 120 | 58 | 50 | 157 | 192 |
| SC 1017 135 5 | SC04/5 | 12000C1355001 | 5 | 1017 | 47 | 9.3 | 200 | 16.9 | 409 | 242 | 167 | 153 | 150 | 73 | 50 | 157 | 192 |
| SC 824 135 4 | SC04/4 | 12000C1354001 | 4 | 824 | 46 | 8.4 | 200 | 19.8 | 409 | 242 | 167 | 153 | 150 | 73 | 50 | 157 | 192 |
| SC 1017 135 5 | SC04/5/58 | 12000C1355003 | 5 | 1017 | 46 | 9.3 | 200 | 16.9 | 400 | 233 | 167 | 153 | 120 | 58 | 50 | 157 | 192 |
| SC 824 135 4 | SC04/4/58 | 12000C1354003 | 4 | 824 | 45 | 8.4 | 200 | 19.8 | 400 | 233 | 167 | 153 | 120 | 58 | 50 | 157 | 192 |
| SCC 1075 135 6 | SCC04/6 | 1200CC1356001 | 6 | 1075 | 46 | 8.7 | 200 | 14.1 | 367 | 193 | 174 | 118 | 120 | 58 | 50 | 157 | 192 |
| SCC 909 135 5 | SCC04/5 | 1200CC1355001 | 5 | 909 | 44 | 8.2 | 200 | 16.9 | 376 | 202 | 174 | 118 | 150 | 73 | 50 | 157 | 192 |
| SCC 736 135 4 | SCC04/4 | 1200CC1354001 | 4 | 736 | 43 | 7.5 | 200 | 19.8 | 376 | 202 | 174 | 118 | 150 | 73 | 50 | 157 | 192 |
| ✚ S 205 851 135 7 | S04/198/7R | 1202051357004 | 7 | 851 | 33 | 6.3 | 200 | 11.5 | 273 | 160 | 113 | 105 | 120 | 43 | 45 | 157 | 195 |

M 05

Accessori
Accessories
Accessoires
Zubehören
Accesorios



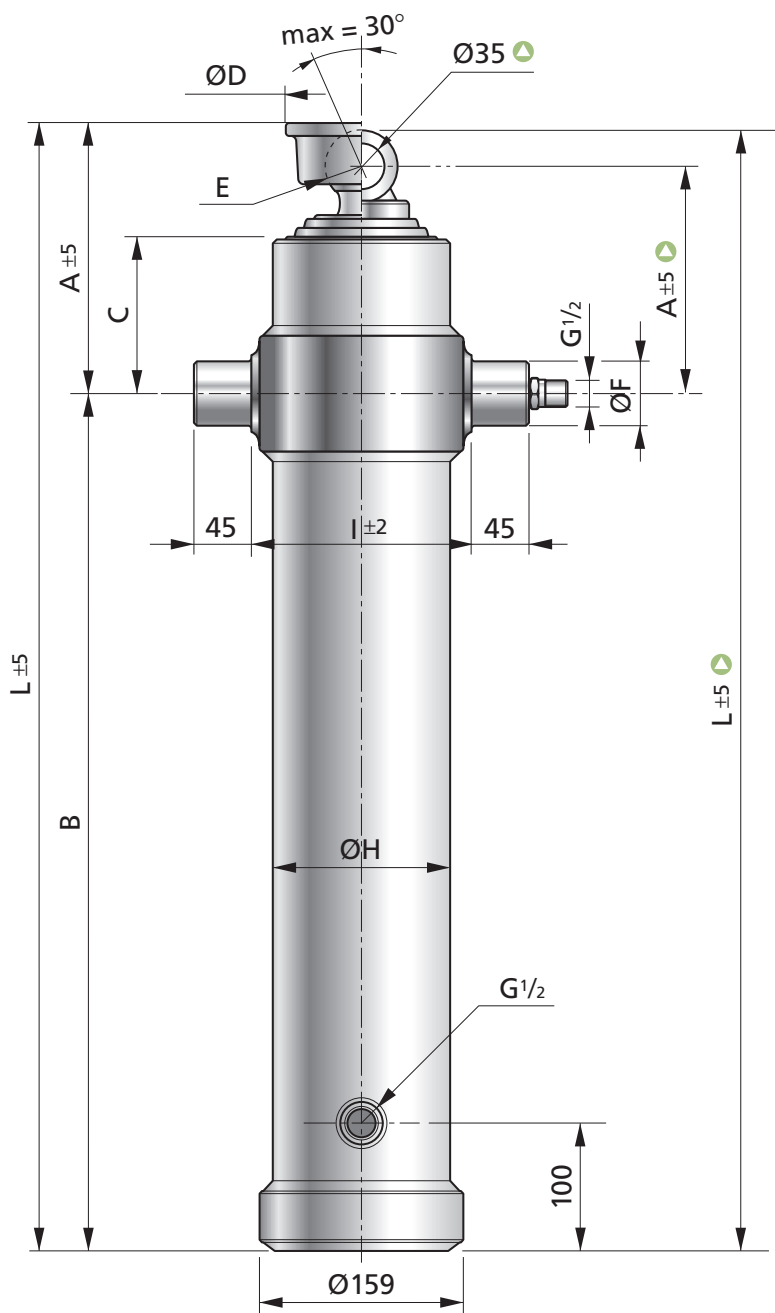
SUPPORTO CILINDRO CYLINDER SUPPORT
PALIER VERIN LAGER ZYLINDER
SOPORTE CILINDRO



SUPPORTO BILANCIERE CRADLE SUPPORT
BALANCIER VERIN LAGER KIPPHEBEL
SOPORTE CUNA



Vedi pagine 32-33 per dettagli
See pages 32-33 for details
Voyez pages 32-33 pour détails
Sehen Blatten 32-33 für Informationen
Ver hoías 32-33 para informaciones



M 05

| TIPO TYPE TYPE TYP TIPO | SFILATE EXTENSION EXPANSION STUFENZAHL EXPANSION | DIAMETRO - DIAMETER DIAMÈTRE - DURCHMESSER DIAMETRO | | | | max SPINTA THRUST POUSSEE KRAFT EMPÜJE [kN] |
|-------------------------------------|--|---|----|-----|----|---|
| | | I | II | III | IV | |
| M 05 | 4 | 116 | 98 | 79 | 61 | 93 |
| | 3 | 116 | 98 | 79 | | 117 |

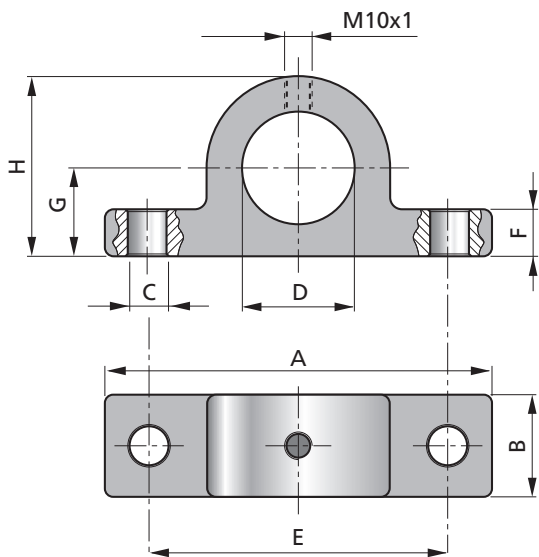
M 05 DETAGLI TECNICI TECHNICAL DATA DÉTAIL TECHNIQUES TECHNISCHE DATUM DETALLES TÉCNICOS

| ART. NUOVO NEW MODEL NOUVELLE DESCR. NEUE BEZEICHNUNG DESCRIPCION NUEVA | ART. VECCHIO OLD MODEL ANCIENNE DESCR. ALTE BEZ. DESCR. ANTIGUA | CODICE CODE CODE BESTELL-Nr. CODIGO | N. SFILATE - EXTENSION N. N. DES RALLONGES STUFENZAHL - N. EXPANSIONES | CORSA - POWER STROKE COURSE DE TRAVAIL GESAMTHUB - CARRERA | MASSA - MASS MASSE - MASSE | OLIO ASSORBITO OIL CONSUMPTION HUILE CONSOMM. ÖLVERBRUCH ACEITE ABSORBIDO | PRESIONE MAX DILAVORO MAX. WORKING PRESSURE PRESSION DE TRAVAIL MAX. MAXIMUMBETRIEBSDRUCK PRESSION MAX. DE TRABAJO | MASSA TOTALE RIBALTABILE TOTAL MASS TIP-UP MASSE TOTALE REBATABLE GESAMTIPPMASSE MASA TOTAL VOLCADA | L | A | B | C | D [mm] | E | F | H | I |
|---|---|---|--|--|-------------------------------|---|--|---|-----|-----|-----|-----|-----------|----|----|-----|-----|
| 750 2548 116 4 | M05/750/4 | 1107501164001 | 4 | 2548 | 84 | 16.5 | 200 | 11.9 | 879 | 211 | 668 | 117 | 120 | 58 | 50 | 138 | 171 |
| 750 1911 116 3 | M05/750/3 | 1107501163001 | 3 | 1911 | 73 | 14.7 | 200 | 14.9 | 872 | 204 | 668 | 117 | 120 | 58 | 50 | 138 | 171 |
| ▲ 750 2548 116 4 | M05/750/4B | 1107501164003 | 4 | 2548 | 84 | 16.5 | 200 | 11.9 | 904 | 209 | 668 | 117 | | | 50 | 138 | 171 |
| ▲ 750 1911 116 3 | M05/750/3B | 1107501163003 | 3 | 1911 | 73 | 14.7 | 200 | 14.9 | 879 | 183 | 668 | 117 | | | 50 | 138 | 171 |
| 670 2228 116 4 | M05/670/4 | 1106701164001 | 4 | 2228 | 75 | 14.4 | 200 | 11.9 | 799 | 211 | 588 | 117 | 120 | 58 | 50 | 138 | 171 |
| 670 1671 116 3 | M05/670/3 | 1106701163001 | 3 | 1671 | 65 | 12.8 | 200 | 14.9 | 792 | 204 | 588 | 117 | 120 | 58 | 50 | 138 | 171 |
| ▲ 670 2228 116 4 | M05/670/4B | 1106701164003 | 4 | 2228 | 75 | 14.4 | 200 | 11.9 | 824 | 209 | 588 | 117 | | | 50 | 138 | 171 |
| ▲ 670 1671 116 3 | M05/670/3B | 1106701163003 | 3 | 1671 | 65 | 12.8 | 200 | 14.9 | 799 | 183 | 588 | 117 | | | 50 | 138 | 171 |

Accessori • Accessories • Accessoires Zubehören • Accesorios



SUPPORTO CILINDRO CYLINDER SUPPORT PALIER VERIN LAGER ZYLINDER SOPORTE CILINDRO

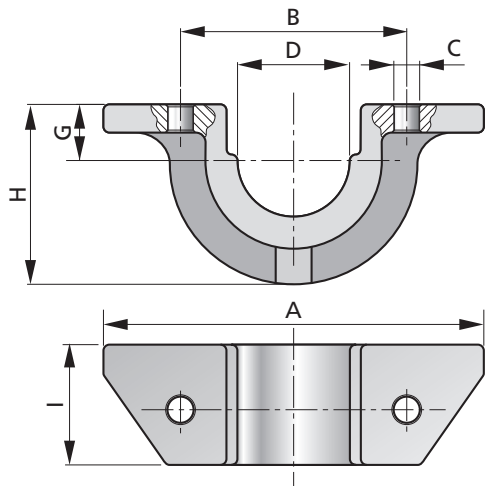


SC 45 - SC 50 - SC 55 - SC 70

| ART. NUOVO NEW MODEL NOUVELLE D. NEUE BEZ. DES. NUEVA | ART. VECCHIO OLD MODEL ANCIENNE D. ALTE BEZ. DES. ANTIGUA | CODICE CODE CODE BESTELL-Nr. CODIGO | A | B | C | [mm] | | | | | MASSA MASS MASSE MASSE MASA [kg] |
|---|---|---|-----|----|------|------|-----|----|------|----|---|
| | | | | | | D | E | F | G | H | |
| SC45 | SC45 | A70045001 | 140 | 40 | 14 | 45.5 | 108 | 17 | 32 | 65 | 1.5 |
| SC50 | SC50 | A70050001 | 150 | 45 | 15 | 50.5 | 113 | 15 | 45 | 80 | 2.6 |
| SC55 | SC55 | A70055001 | 150 | 45 | 15 | 55.5 | 113 | 15 | 45 | 80 | 2.6 |
| SC70 | SC70 | A70070001 | 180 | 45 | 16.5 | 70.5 | 140 | 15 | 47.5 | 95 | 3 |

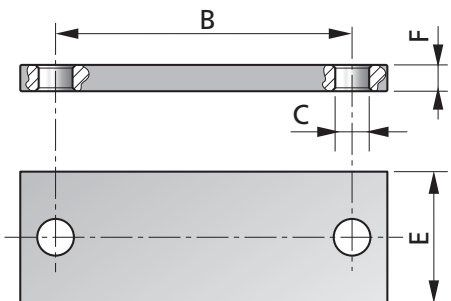


SUPPORTO BILANCIERE CRADLE SUPPORT BALANCIER VERIN LAGER KIPPHEBEL SOPORTE CUNA



SB 45 - SB 50 - SB 55 - SB 70

| ART. NUOVO NEW MODEL NOUVELLE D. NEUE BEZ. DES. NUEVA | ART. VECCHIO OLD MODEL ANCIENNE D. ALTE BEZ. DES. ANTIGUA | CODICE CODE CODE BESTELL-Nr. CODIGO | A | B | C | [mm] | | | | | MASSA MASS MASSE MASSE MASA [kg] | |
|---|---|---|-----|-----|----|------|----|---|------|-----|---|---|
| | | | | | | D | E | F | G | H | | I |
| SB45 | SB45 | A60045001 | 145 | 113 | 13 | 45.5 | 30 | 8 | 23 | 56 | 40 | 1 |
| SB50 | SB50 | A60050001 | 190 | 113 | 13 | 51 | 30 | 8 | 25.5 | 70 | 45 | 2 |
| SB55 | SB55 | A60055001 | 190 | 113 | 13 | 56 | 30 | 8 | 28 | 70 | 45 | 2 |
| SB70 | SB70 | A60070001 | 210 | 148 | 13 | 71 | 30 | 8 | 35.5 | 150 | 45 | 3 |

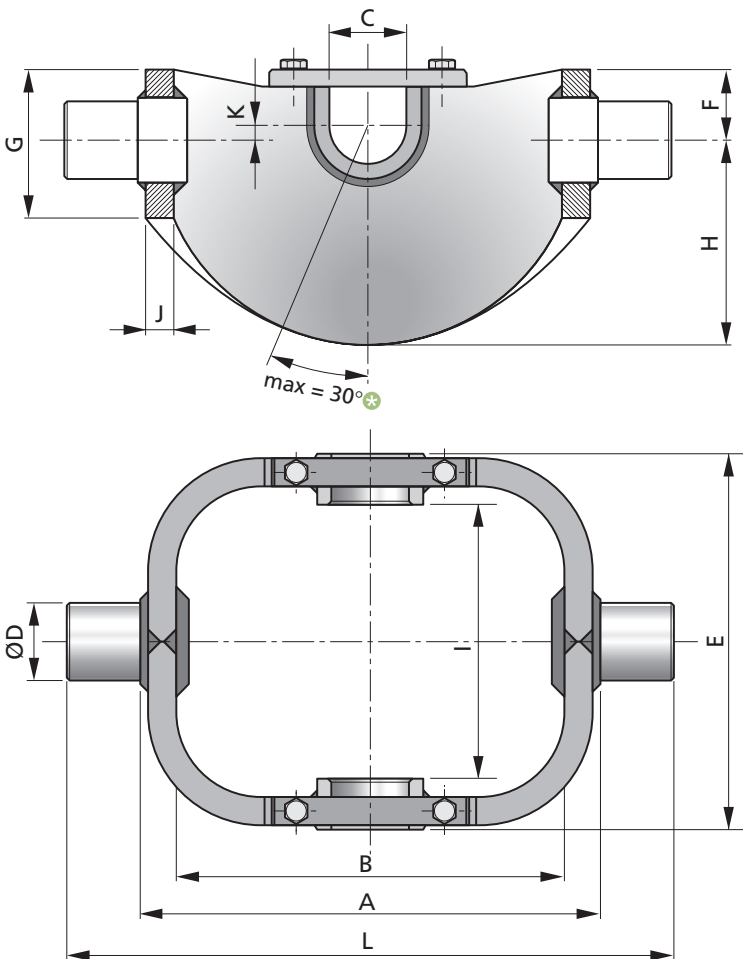




BILANCIERE CRADLE BALANCIER KIPPHEBEL CUNA

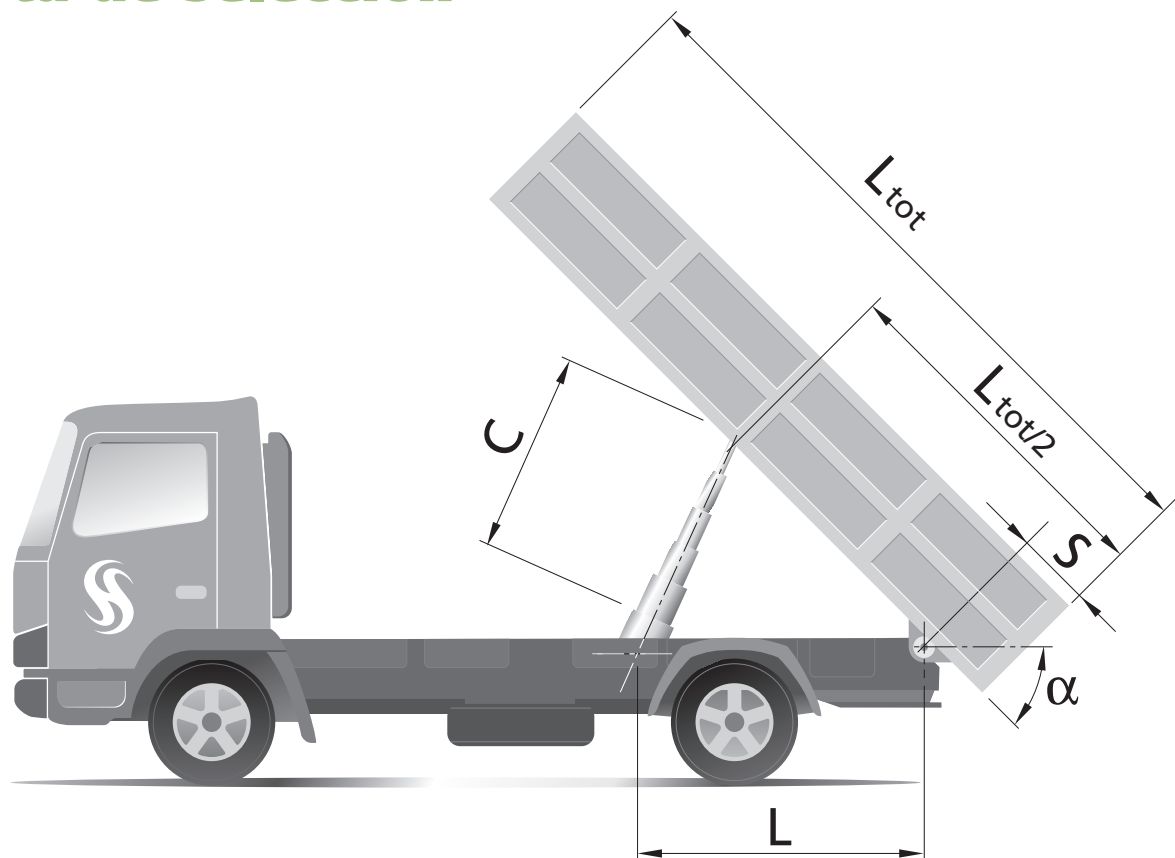
3 - 2 - 1 - 01 - 02 - 03 - 04

| ART. NUOVO NEW MODEL NOUVELLE D. NEUE BEZ. DES. NUEVA | ART. VECCHIO OLD MODEL ANCIENNE D. ALTE BEZ. DES. ANTIGUA | CODICE CODE BESTELL-Nr. CODIGO | PORTATA MAX MAX CAPACITY PORTÉE MAX MAX TRAGKRAFT CAPACIDAD MAX [ton] | A | B | C | D | E | F | G | H | I | J | K | L | MASSA MASS MASSE MASSE MASA [kg] |
|---|---|---|--|------|-----|----|----|-----|------|-------|-------|-----|----|---|-----|---|
| | | | | [mm] | | | | | | | | | | | | |
| 3 | 3 | A53000001 | 50 | 535 | 480 | 70 | 70 | 422 | 90 | 170 | 205 | 362 | 20 | 0 | 625 | 68 |
| 2 | 2 | A52000001 | 50 | 535 | 480 | 70 | 70 | 402 | 90 | 170 | 205 | 342 | 20 | 0 | 625 | 68 |
| 1 | 1 | A51000001 | 30 | 455 | 410 | 55 | 55 | 372 | 72.5 | 134.5 | 147.5 | 312 | 15 | 0 | 545 | 33 |
| 01 | 01 | A50100001 | 27 | 400 | 355 | 50 | 50 | 320 | 65 | 120 | 145 | 270 | 15 | 0 | 490 | 25 |
| 02 | 02 | A50200001 | 26 | 400 | 355 | 50 | 50 | 290 | 65 | 120 | 145 | 240 | 15 | 0 | 490 | 24 |
| 03 | 03 | A50300001 | 21 | 330 | 291 | 50 | 50 | 266 | 45 | 95 | 130 | 218 | 12 | 0 | 420 | 16 |
| 04 | 04 | A50400001 | 17 | 300 | 261 | 50 | 50 | 242 | 45 | 90 | 120 | 194 | 12 | 0 | 390 | 13 |



* For APSC 03: max 27°
For APSC 03: max 25°

Tavole di Aiuto • Selection charts Tables de choix • Vorwählerkarte Carta de seleccion



Corsa - Stroke - Course - Hub - Carrera

| L [mm] | INCLINAZIONE CASSONE - BODY TILTING ANGLE DE BENNAGE - KIPPWINKEL - ANGULO DE VUELCO α [°] | | | | | |
|-----------|--|------|------|------|------|------|
| | 40 | 45 | 48 | 50 | 55 | 60 |
| 600 | 410 | 459 | 488 | 507 | 554 | 600 |
| 800 | 547 | 612 | 651 | 676 | 739 | 800 |
| 1000 | 684 | 765 | 813 | 845 | 923 | 1000 |
| 1200 | 821 | 918 | 976 | 1014 | 1108 | 1200 |
| 1400 | 958 | 1072 | 1139 | 1183 | 1293 | 1400 |
| 1600 | 1094 | 1225 | 1302 | 1352 | 1478 | 1600 |
| 1800 | 1231 | 1378 | 1464 | 1521 | 1662 | 1800 |
| 2000 | 1368 | 1531 | 1627 | 1690 | 1847 | 2000 |
| 2200 | 1505 | 1684 | 1790 | 1860 | 2032 | 2200 |
| 2400 | 1642 | 1837 | 1952 | 2029 | 2216 | 2400 |
| 2600 | 1779 | 1990 | 2115 | 2198 | 2401 | 2600 |
| 2800 | 1915 | 2143 | 2278 | 2367 | 2586 | 2800 |
| 3000 | 2052 | 2296 | 2440 | 2536 | 2770 | 3000 |
| 3200 | 2189 | 2449 | 2603 | 2705 | 2955 | 3200 |
| 3500 | 2394 | 2679 | 2847 | 2958 | 3232 | 3500 |
| 4000 | 2736 | 3061 | 3254 | 3381 | 3694 | 4000 |
| 4500 | 3078 | 3444 | 3661 | 3804 | 4156 | 4500 |
| 5000 | 3420 | 3827 | 4067 | 4226 | 4617 | 5000 |
| 5500 | 3762 | 4210 | 4474 | 4649 | 5079 | 5500 |
| 6000 | 4104 | 4592 | 4881 | 5071 | 5541 | 6000 |

CORSA
 POWER STROKE
 COURSE DE TRAVAIL
 GESAMTHUB
 CARRERA
C
 [mm]

$$C_{[mm]} = 2L_{[mm]} \sin\left(\frac{\alpha_{[rad]}}{2}\right) \Rightarrow$$

$$\Rightarrow C_{[mm]} \cong \frac{3,1416}{180} \cdot \alpha_{[°]} \cdot L_{[mm]} \cdot \left(1 - \frac{9,8696}{777600} \alpha_{[°]}^2\right)$$

- Conoscendo la distanza del cilindro dalle cerniere del cassone e l'angolo che si vorrebbe ottenere, si ricava un valore indicativo della corsa che il cilindro deve erogare.
- The stroke is identified by crossing the pivot length (L) with the requested tipping angle (°).
- La course est calculée sur la distance des charnières et l'angle de bennage.
- Sie koennen die Zylinderhub von Kippwellenabstand und Kippwinkelangabe ziehen.
- La carrera es de distancia del cilindro desde el punto de giro e l'angulo de volcada

Spinta - Thrust - Poussée - Kraft - Empuje

| SFI-LATE EXTENSION EXPANSION STUFENZAHL EXPANSION | PRESSIONE - PRESSURE PRESSION - DRUCK - PRESIÓN [bar] | | | | | | | | | |
|---|---|-----|-----|-----|------|------|------|------|------|------|
| | 50 | 100 | 125 | 150 | 175 | 200 | 225 | 250 | 275 | 300 |
| 45 | 8 | 16 | 20 | 24 | 28 | 32 | 36 | 40 | 44 | 48 |
| 60 | 14 | 28 | 35 | 42 | 49 | 57 | 64 | 71 | 78 | 85 |
| 61 | 15 | 29 | 37 | 44 | 51 | 58 | 66 | 73 | 80 | 88 |
| 75 | 22 | 44 | 55 | 66 | 77 | 88 | 99 | 110 | 121 | 133 |
| 79 | 25 | 49 | 61 | 74 | 86 | 98 | 110 | 123 | 135 | 147 |
| 90 | 32 | 64 | 80 | 95 | 111 | 127 | 143 | 159 | 175 | 191 |
| 98 | 38 | 75 | 94 | 113 | 132 | 151 | 170 | 189 | 207 | 226 |
| 105 | 43 | 87 | 108 | 130 | 152 | 173 | 195 | 216 | 238 | 260 |
| 116 | 53 | 106 | 132 | 159 | 185 | 211 | 238 | 264 | 291 | 317 |
| 120 | 57 | 113 | 141 | 170 | 198 | 226 | 254 | 283 | 311 | 339 |
| 135 | 72 | 143 | 179 | 215 | 250 | 286 | 322 | 358 | 394 | 429 |
| 154 | 93 | 186 | 233 | 279 | 326 | 373 | 419 | 466 | 512 | 559 |
| 174 | 119 | 238 | 297 | 357 | 416 | 476 | 535 | 594 | 654 | 713 |
| 196 | 151 | 302 | 377 | 453 | 528 | 603 | 679 | 754 | 830 | 905 |
| 221.5 | 193 | 385 | 482 | 578 | 674 | 771 | 867 | 963 | 1060 | 1156 |
| 249 | 243 | 487 | 609 | 730 | 852 | 974 | 1096 | 1217 | 1339 | 1461 |
| 279 | 306 | 611 | 764 | 917 | 1070 | 1223 | 1376 | 1528 | 1681 | 1834 |

SPINTA
THRUST
POUSSEE
KRAFT
EMPUJE
[kN]

$$S_{[kN]} = \frac{\pi}{4} d_{[mm]}^2 \frac{p_{[bar]}}{10000} \Rightarrow$$

$$\Rightarrow S_{[kN]} \cong \frac{0,785}{10000} d_{[mm]}^2 p_{[bar]}$$

- La spinta è la forza che la pressione dell'olio genera agendo sullo stelo di un cilindro. Il diametro è il diametro di tenuta dello stelo.
- The thrust is a force generated by oil under pressure, which lifts the stage of the cylinder. "D" is the diameter of the stage.
- La poussée est la force de la huile en pression sous les expansions du vérin. D est le diamètre de chaque expansion.
- S ist die Kraft von Druck den Öl auf die Stufe. "D" ist die Durchmesser jeder Stufen.
- El empuje es la fuerza de l'aceite en presión en las expansiones. D es el diámetro de cada expansión.

Quick reference selection chart

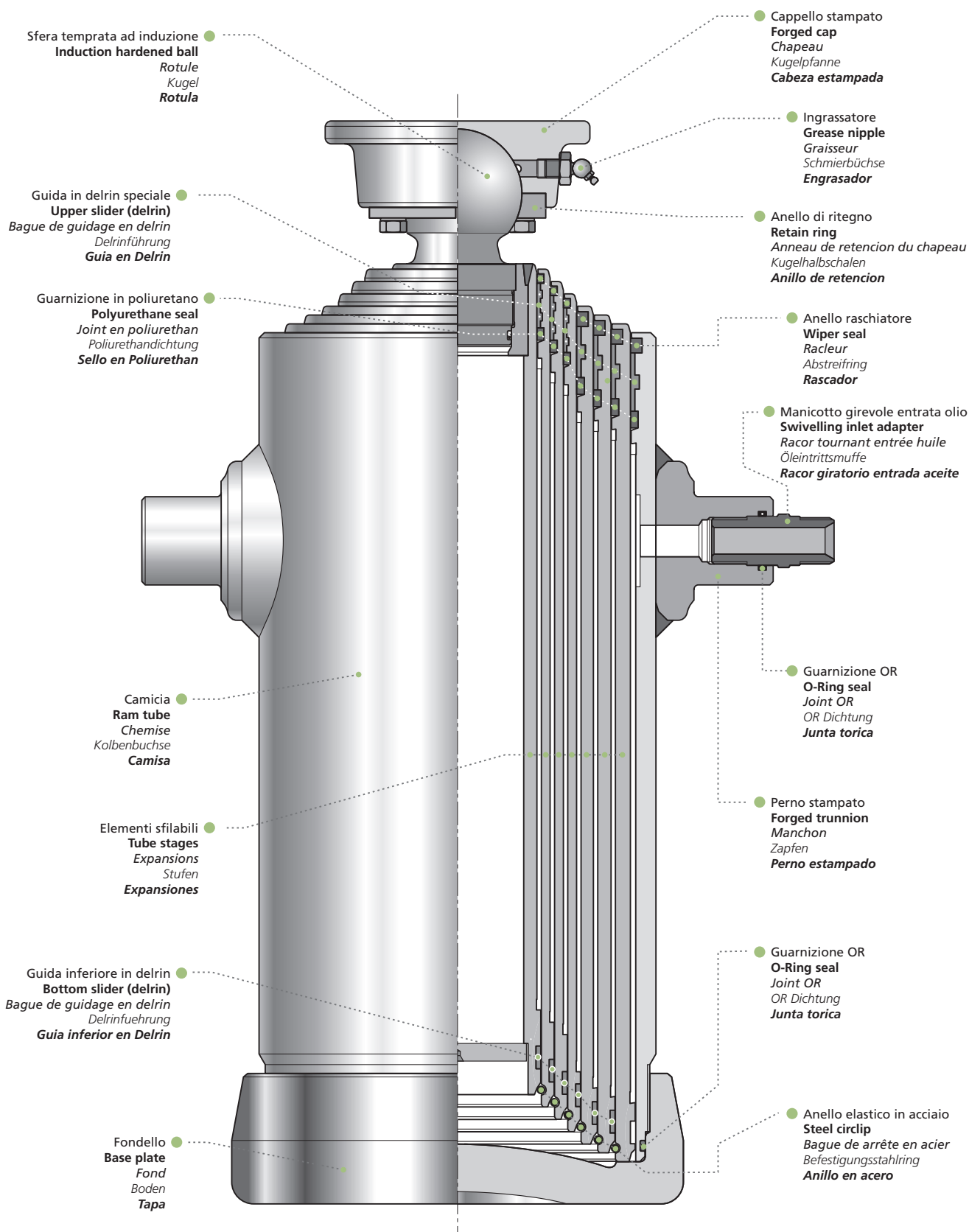
| TIPO TYPE TYPE TYP TIPO | MASSA TOTALE - TOTAL MASS - MASSE TOTALE - GESAMTKIPPMASS - MASA TOTAL [ton] | | | | | | | | | |
|-------------------------------------|---|-------|-------|-------|-------|-------|-------|-------|-------|-------|
| | 48÷45 | 45÷40 | 40÷35 | 35÷32 | 32÷29 | 29÷25 | 25÷22 | 22÷19 | 19÷15 | 15÷11 |
| 3 | 7 | 8 | 9 | | 10 | | | | | |
| 2 | 6 | 7 | 8 | 9 | | 10 | | | | |
| 1 | | 6 | 7 | 8 | | 9 | 10 | | | |
| 01 | | | 5 | 6 | 7 | 8 | | 9 | | |
| 02 | | | | | 5 | 6 | 7 | | 8 | |
| 03 | | | | | | 4 | 5 | 6 | 7 | |
| 04 | | | | | | | | 4 | 5 | 6 |
| 05 | | | | | | | | | 3 | 4 |



N. SFI-LATE
EXTENSION N.
N. DES RALLONGES
STUFENZAHL
N. EXPANSIONES

- Conoscendo la massa totale ribaltabile si possono individuare i modelli di cilindri che normalmente possono essere utilizzati con il carico previsto.
- Depending on the total tipping weight, the chart identifies the most suitable model and number of stages available.
- En choisissant le poids total de bennage, le tableau identifie le modele optimale de vérin et le nombre de expansions disponibles.
- Bei der Tabelle mit der Gesamtkippmasse können Sie den optimal Zylinder wählen.
- Con este tabiilla conociendo la masa total de vuelco se puede seleccionar el cilindro optimal.

Compressivo · Assembly · Plan du vérin Zusammenzeichnung · Dibujo



Warnings

USER RESPONSIBILITY

Incorrect selection or incorrect use of the here described component and its related items may cause death, personal injury and property damage. Documents and information supplied by H.S.PENTA are intended for further investigations by users with technical knowledge. The user, as manufacturer of the completed machinery which will incorporate the components supplied by H.S.PENTA, is the solely responsible for the final selection of the products. The user must carry out necessary research and tests on components to determine whether, by its design and construction, all performance, endurance, maintenance, safety and warning requirements are met. The user must assure the compliance of the completed machinery with all appropriate laws, directives, norms, industry standards. To the extent that H.S.PENTA provide component or system options based upon data or specifications provided by the user, the user is responsible for determining that such data and specifications are suitable and sufficient for all applications and reasonably foreseeable uses of the components or systems.

1. Conditions of use

The hydraulic cylinder is a component that is intended to be incorporated into machinery which must meet the requirements of the applicable directives and standards. If here reported advices are not met and if the machinery that incorporates the cylinder is non-compliant with directives, the guarantee will not be applicable and H.S.PENTA will refuse all responsibility for every consequence of the use of the cylinder.

The hydraulic cylinder for tipper is a linear actuator therefore it is designed to provide a pushing force acting along the cylinder axis and must not be subject to side and/or pulling loads. The hydraulic cylinder is not a structural member and must not be used as a stabilizer or to retain the moving body, it cannot prevent the dump body or trailer from rollover or lateral tilt.

Rollover or lateral tilt are the causes that can bend, swell, strain or break off the cylinder causing the sudden fall of the body with serious risk of damage, injury or death. The hydraulic cylinder cannot in any way be the reason of rollover, but it can only stand the consequences of it.

The hydraulic cylinder, once installed, must be free by every side load or bending load. Misalignment between brackets and impeding of free rotation can cause the failure of the hydraulic cylinder (i.e.: damages on cylinder stages, oil leaking, out of sequence, etc.). The manufacturer of complete machinery must prevent all conditions that can induce improper loads on the cylinders. For example in case of a tipper vehicle: tires and suspensions must be in optimal working conditions, the cylinder must not be opened in case of soft and/or uneven ground or, in case of semi-trailer tipper, if trailer and prime-mover are misaligned. In tipping equipment working outside the cylinder must not be opened in case of strong wind. Generally, the cylinder must not be opened in all conditions which can affect the stability of the tipping equipment.

1.1 Ordinary operations

The normal application of telescopic cylinder is to lift up tipping bodies, loaded with different materials, and consequently discharge this material whilst the cylinder is extended all along its stroke, considering the specified limits of the cylinder. Unless otherwise stated, the hydraulic cylinders are single acting and the force generated by the weight of the moving body will close the cylinder.

If the tipping equipment is fitted on a vehicle, the body builder must consider that the hydraulic cylinder are not suitable to act and/or to be loaded when the vehicle is moving. The tipping body of the equipment must not lie on the cylinder when the vehicle is moving.

1.2 Selection of the cylinder

The body weight plus the max payload are the max tipping weight that can be raised by the cylinder. This value, called "tipping weight", is a rough indication of the tipping power of the cylinder and must be used as a first criteria for the selection of the cylinder. The real tipping mass can only be calculated by the design engineer of the completed machinery, and must take into account the geometry of the dump body, operating conditions, all reasonably foreseeable uses, the maximum pressure and other possibly limits stated for the cylinder.

The manufacturer of the tipping equipment must consider all reasonably foreseeable uses and all possibly dynamic loads produced by the operations. In particular the manufacturer must assure sufficient safety margin on critical buckling load of the cylinder (if this value is not stated, the manufacturer can ask it to H.S.PENTA). For example, in case of sticky loads, it must be avoided that the user can roughly operate: the dynamic loads produce great peaks of pressure that can damage the cylinder and it is possible to reach the critical buckling load of the cylinder causing the collapse of the hydraulic cylinder and the sudden fall of the moving body with severe risks of death, personal injury and property damage. Furthermore, the manufacturer must consider possible geometric limits of the hinges of the cylinder and its accessory (if not stated, the manufacturer can ask to H.S.PENTA), i.e.: the maximum allowed angle between the top cap and the spherical ball on piston rod is 30°. Unless otherwise stated, the hydraulic cylinder are single acting and a minimum load of 250 kg must be assured to close the cylinder.

1.3 Selection of the cylinder

The stages of any cylinder can be exposed to corrosion when used in very humid or aggressive environment, and should never remain fully extended for a period exceeding the tipping time. H.S.PENTA guarantee does not cover flaw or defect regarding the corrosion of the parts of the product coated or not coated. H.S.PENTA telescopic cylinders can be used under environment or hydraulic oil temperatures ranging from -40°C and +100°C, unless otherwise stated.

Guarantee

1. Guarantee conditions

1.1 H.S.PENTA S.P.A. (hereinafter referred to as the "Company") guarantees the satisfactory operation of its hydraulic components, hydraulic cylinders, and respective accessories (hereinafter jointly referred to as the "Products") and the absence of flaws and defects in the same within the limits specified in these General Guarantee Conditions.

1.2 This guarantee of satisfactory operation has a validity of two (2) years from the date of sale of the Products.

1.3 The Company guarantees the conformity of the Products exclusively to Italian and European Community standards.

2. Guarantee coverage

2.1 Without prejudice to the content of the following Article 2.2 regarding hidden defects, the Products will be considered as having been accepted by the purchaser whenever within 5 days from delivery such latter has not provided the Company with written notice of the presence of flaws and/or defects.

2.2 Upon pain of relinquishing rights to coverage under the guarantee, the purchaser must provide the Company with written notice of the defect in conformity and/or flaw in the Product or part of the same, specifying the nature of the same in detail within 8 days of the date in which the purchaser has observed such defect in conformity and/or flaw.

2.3 The defective Products reported in such notice as per the sense and effect of Article 2.2 above must be conserved by the purchaser for the purpose of examination by the Company.

Following written request from the Company, the purchaser must send the defective Product(s) carriage paid to the latter or the party indicated by the same; whenever after the Company's examination, the Product is declared defective and as such is covered by these General Guarantee Conditions, the Company will reimburse the purchaser for the costs of shipping, while remaining expressly specified that such shipping costs must be within the average reference costs.

The purchaser relinquishes the right to coverage under guarantee whenever he does not permit every reasonable inspection of the Product requested by the Company or whenever after receiving written request from the Company for the return of the Product he fails to do so within 30 days of receiving such request.

2.4 Following transmission of due notice by the purchaser performed as per the sense and effect of previous Article 2.2, after ascertaining the existence of the defect or flaw, the Company can take any of the following courses of action at its own discretion:

- provide the purchaser with Products in replacement of those defective free-of-charge;
- repair the Products directly or through third parties at its own expense; or
- reimburse the price paid by the purchaser for the Products ascertained defective.

It is hereby agreed that any Products supplied in replacement of those proven defective must be shipped "ex-works" and that the defective Products returned to the Company will remain the property of such latter.

2.5 With the exception of those mentioned in Article 2.4 above, the costs and expenses incurred by the replacement or repair of the defective Products must be borne by the purchaser.

For mere purposes of example without excluding others, the purchaser must bear the costs for:

- consumptions caused by the removal of the defective Products from the machinery in which they were installed and the subsequent re-installation of the same;
- the transport of materials and/or equipment;

(c) lubricants and/or expendable materials necessary for the replacement or repair of the defective Products;

(d) the re-painting of the Products;

(e) the transfer expenses of the Company's personnel during checking for flaws and defects reported by the purchaser.

2.6 Nothing will be due to the purchaser by way of compensation for the time that the machinery in which the defective Products are installed remain out of operation for the repair or replacement of the same, and the Company must be considered expressly released from liability for any direct or indirect damage, cost or expense derived by such machinery inactivity.

2.7 For the parts of the Product replaced or repaired, the guarantee will be automatically extended for a new 2-year period from the date of such replacement or repair.

2.8 Except in case of fraudulent intention or serious neglect, the Company will not be liable in any way for any direct or indirect damage, cost, loss, or expense to persons and/or property derived from the operation and use of the Products and/or the interruption of activity of the machinery in which the Products are installed, given that the guarantee specified in Article 2 is the only remedy in the purchaser's favour.

3. Guarantee exclusions

3.1 The Company will not provide guarantee coverage for defects in conformity and/or flaws in the Product or any of its parts for any of the following cases:

- reasons due or linked to normal wear;
- the failure of the purchaser to correctly perform the procedures for the installation, use (or equivalent), and maintenance of the Products specified in the Use and Maintenance manual provided by the Company together with the Products;
- the incorrect use and/or operation of the Products or accident caused by the negligence, inexperience, or imprudence of the purchaser;
- the inadequate maintenance of the Products by the purchaser or modifications, repair and/or replacement made by the same without the Company's written consent;
- shock or impact against the vehicle or machinery in which the Products are installed; and
- causes other than defects in fabrication and/or engineering, working, and/or materials.

3.2 Guarantee coverage will also be excluded whenever:

- the Company is not placed in the conditions to promptly perform the necessary repair or replacement of defective Products;
- the Products are modified by the purchaser;
- the Products are used after the discovery of a flaw or defect;
- Repairs that are not authorized by the Company are made;
- the flaw or defect regards paint coatings and/or is represented by the corrosion of parts of the Product coated or not coated.

4. Applicable Law - Controversy

4.1 These General Guarantee Conditions are regulated by Italian Law with the express exclusion of the application of the United Nations Convention on international movable property sales contracts.

4.2 Any controversy derived from these General Guarantee Conditions, including those regarding their validity, interpretation, execution and resolution that cannot be settled out of court will be subjected to the exclusive decision of the Court of Ravenna, Italy.

"General guarantee conditions" 19/11/2008



Rev. 04.2014

Note • Notes

A series of horizontal dotted lines for taking notes.

Blank page with horizontal dotted lines for writing.



PENTA
HYDRAULIC POWER

Hydro Service Penta
via Proventa, 31
48018 Faenza RA - Italy
tel. +39 0546 664848
fax +39 0546 664860
hspenta@hspenta.it
www.hspenta.it

.....

- Il presente catalogo annulla e sostituisce i precedenti.
La HS PENTA si riserva il diritto di apportare modifiche migliorative senza preavviso.
È vietata la riproduzione anche parziale.

- This catalogue cancels and replaces the previous ones.
HS PENTA reserves the right to make any improving changes without notice.
All right reserved.

- Ce catalogue annule et remplace le précédents.
HS PENTA se réserve le droit d'apporter des modifications améliorantes sans préavis.
La reproduction même partielle est interdite.

- Der vorliegende katalog annulliert und ersetzt die vorherigen.
HS PENTA behält sich das recht vor, besserungsänderungen ohne voranzeige anzubringen.
Reproduktionen, auch auszugsweise, sind verboten.

- Esto catalogo anula y reemplaza los anteriores.
HS PENTA se reserva el derecho de efectuar modificaciones de mejora sin previo aviso.
La reproduccion total o parcial esta prohibida.





Hydro Service Penta
via Proventa, 31
48018 Faenza RA - Italy
tel. +39 0546 664848
fax +39 0546 664860
hspenta@hspenta.it
www.hspenta.it